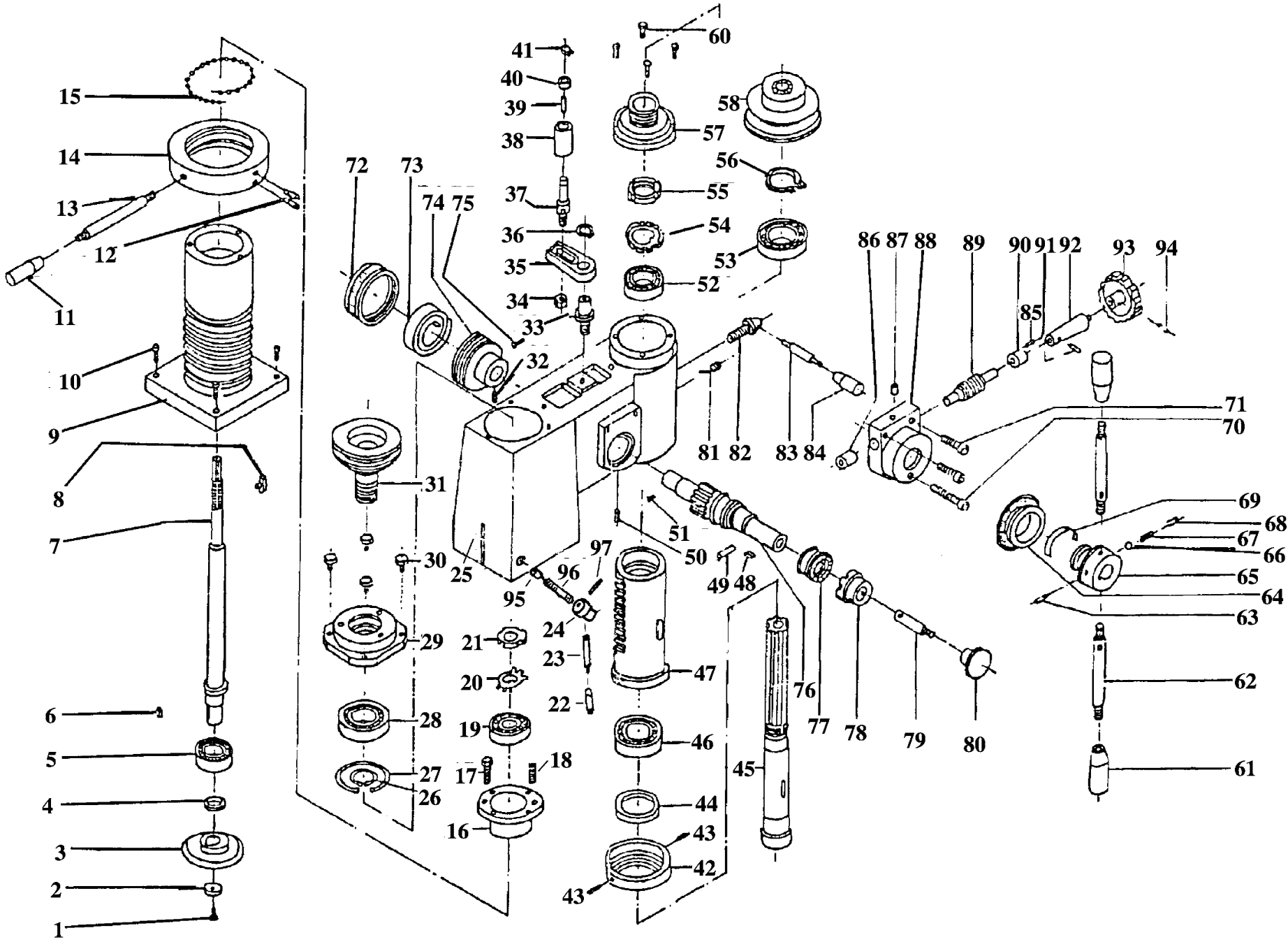


## SECTION TWENTY-FIVE PARTS LISTS WITH SCHEMATICS

- |   |   |
|---|---|
| <p><b>25.1 Mill/Drillhead</b><br/>Diagram 1</p> <p><b>25.2 Lathe Head (CB-1220 Series)</b><br/>Diagram 2</p> <p><b>25.3 Spindle/Pulley Cover (CB-1220 Series)</b><br/>Diagram 3</p> <p><b>25.4 Gearbox (CB-1220 XL)</b><br/>Diagram 4</p> <p><b>25.5 Gearbox (CB-1220)</b><br/>Diagram 5</p> <p><b>25.6 Gear/Powerfeed (CB-1220 Series)</b><br/>Diagram 6</p> <p><b>25.7 Bed and Carriage (CB-1220 Series)</b><br/>Diagram 7</p> <p><b>25.8 Table (CB-1220 XL)</b><br/>Diagram 8</p> <p><b>25.9 Compound-Angle Toolpost (CB-1220 Series)</b><br/>Diagram 9</p> <p><b>25.10 Steady Rest</b><br/>Diagram 10</p> | <p><b>25.11 Follow Rest</b><br/>Diagram 11</p> <p><b>25.12 Adjustable Tailstock (CB-1220 Series)</b><br/>Diagram 12</p> <p><b>25.13 Motor with Tensioner (CB-1220 XL)</b><br/>Diagram 13</p> <p><b>25.14 Motor (CB-1220 and CM-1114)</b><br/>Diagram 14</p> <p><b>25.15 Tailstock Assembly (CM-1114)</b><br/>Diagram 15</p> <p><b>25.16 Lathe Head (CM-1114)</b><br/>Diagram 16</p> <p><b>25.17 Lathe Pulley Shell (CM-1114)</b><br/>Diagram 17</p> <p><b>25.18 Bed and Carriage (CM-1114)</b><br/>Diagram 18</p> <p><b>25.19 Straight-Up Toolpost (CM-1114)</b><br/>Diagram 19</p> |
|---|---|



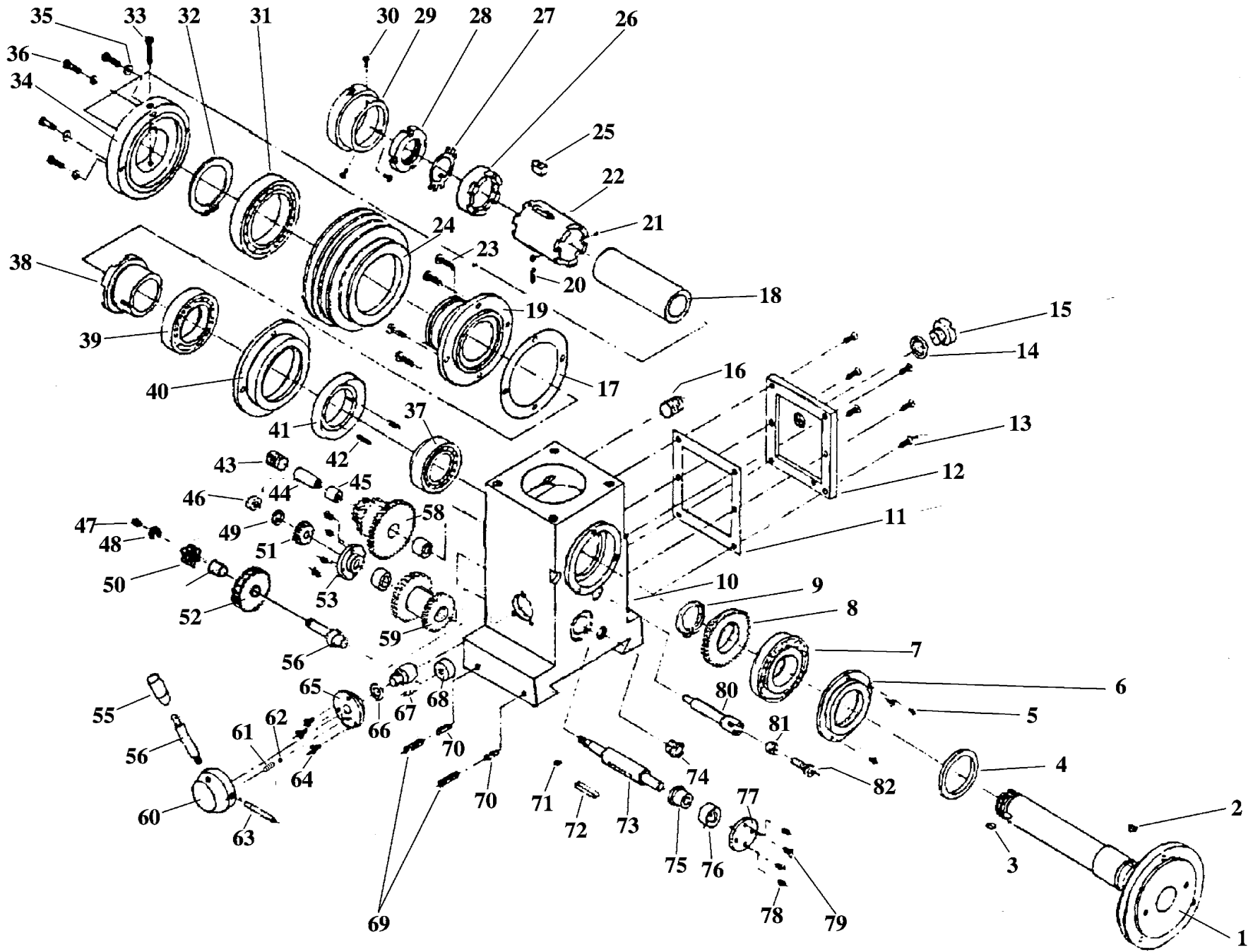
## 25.1 Mill/Drillhead

|    |        |             |                         |         |        |                |                        |
|----|--------|-------------|-------------------------|---------|--------|----------------|------------------------|
| 1  | S11663 | M5x14 GB68  | Countersunk-Head Screw  | 33      | C30001 |                | Fulcrum                |
| 2  | C30207 | 28 GB891    | Retaining Ring          | 34      | S18125 | M8             | Hexagon Nut            |
| 3  | C30001 |             | Bevel Gear              | 35      | C30009 |                | Tension Pulley Arm     |
| 4  | S18591 |             | Washer                  | 36      | S23170 | 15 GB894       | External Snap Ring     |
| 5  | S20380 | 205         | Radial Ball Bearing     | 37      | C30010 |                | Axle                   |
| 6  | S21500 | 6x12 GB1096 | Key                     | 38      | C30011 |                | Sleeve                 |
| 7  | C30221 |             | Drive Shaft             | 39      | C30012 | 2.5x24 GB304   | Roller                 |
| 8  | S21261 | 5x20 GB1096 | T-Key                   | (37-41) | C39004 |                | Roller Assembly        |
| 9  | C30222 | M10x25 GB30 | Millhead Support Column | 40      | C30205 |                | Spacer Ring            |
| 10 | S12611 | M10x25      | Socket-Head screw       | 41      | S23075 | 10 GB894       | External Snap Ring     |
| 11 | C30019 |             | Knob                    | 42      | C30013 |                | Bearing Cap            |
| 12 | S11978 | M6x16       | Setscrew                | 43      | S11602 | M5x5 GB71      | Cone-Point Setscrew    |
| 13 | S30020 |             | Handle Lever            | 44      | C30014 | 45             | Felt Collar            |
| 14 | C30223 |             | Adjusting Collar        | 45      | C30015 |                | Drill/Mill Spindle     |
| 15 | C30224 |             | Ball Bearings           | 46      | S20500 | D2007107       | Tapered Roller Bearing |
| 16 | C30225 |             | Bearing Seat            | 47      | C30016 |                | Spindle Sleeve         |
| 17 | S11994 | M6x20       | Cheese-Head Bolt        | 48      | S21560 | 6x15 GB1096    | Plain Parallel Key     |
| 18 | S11978 | M6x16       | Setscrew                | 49      | S22060 | 5x28 GB119     | Straight Pin           |
| 19 | S20290 |             | Bearing                 | 50      | S12278 | M8x16 GB78     | Setscrew               |
| 20 | C30208 |             | Lockwasher              | 51      | S11315 | M4x6 GB67      | Round-Head Setscrew    |
| 21 | C30209 |             | Spanner Nut             | 52      | S20410 | 2007106        | Tapered Roller Bearing |
| 22 | C30019 |             | Knob                    | 53      | S20560 | 108            | Radial Ball Bearing    |
| 23 | C30095 |             | Handle                  | 54      | C30210 | 30 GB858       | Lockwasher             |
| 24 | C30094 |             | Base                    | 55      | C30211 | M30x1.5 GB812  | Round Nut              |
| 25 | C30007 |             | Millhead                | 56      | S23320 | 40 GB894       | External Snap Ring     |
| 26 | S23260 |             | Snap Ring               | 57      | C30017 |                | Bearing Seat           |
| 27 | S23440 |             | Snap Ring               | 58      | C30018 |                | Large Pulley           |
| 28 | S20520 |             | Bearing                 | 60      | S11690 | M5x20 GB30     | Hexagon-Head Bolt      |
| 29 | C30226 |             | Bearing Set             | 61      | C30019 | M10x50 GB4141  | Knob                   |
| 30 | S11690 | M5x20       | Hexagon-Head Bolt       | 62      | C30020 | M10x100 GB4141 | Handle Lever           |
| 31 | C30227 |             | Pulley                  | 63      | S11952 | M6x12 GB71     | Cone-Point Setscrew    |
| 32 | S12282 | M8x18       | Setscrew                | 64      | C30021 |                | Calibrated Dial        |

### 25.1 Mill/Drillhead (cont.)

|    |        |              |                     |    |        |            |             |
|----|--------|--------------|---------------------|----|--------|------------|-------------|
| 65 | C30022 |              | Handle Seat         | 91 | S22110 | 3x16 GB117 | Taper Pin   |
| 66 | C30199 | 5 GB308      | Steel Ball          | 92 | C30038 |            | Joint Lever |
| 67 | C30200 | 0.5x15       | Spring              | 93 | C30039 |            | Handwheel   |
| 68 | S11938 | M6x8 GB73    | Flat-Point Setscrew | 94 | S22130 | 3x18 GB117 | Taper Pin   |
| 69 | C30201 |              | Spring              | 95 | C30548 |            | Bushing     |
| 70 | S11761 | M5x50        | Capscrew            | 96 | C30465 |            | Stud        |
| 71 | S12021 | M6x30 GB70   | Capscrew            | 97 | S22140 | 3x22       | Taper Pin   |
| 72 | C30023 |              | Spring Cap          |    |        |            |             |
| 73 | C30024 | 0.8x20x1000  | Spring Flat         |    |        |            |             |
| 74 | C30025 |              | Spring Seat         |    |        |            |             |
| 75 | S11315 | M4x6 GB67    | Round-Head Setscrew |    |        |            |             |
| 76 | C30026 |              | Gearshaft           |    |        |            |             |
| 77 | C30027 |              | Wormgear            |    |        |            |             |
| 78 | C30028 |              | Clutch Sleeve       |    |        |            |             |
| 79 | C30029 |              | Small Shaft         |    |        |            |             |
| 80 | C30030 |              | Cone Knob           |    |        |            |             |
| 81 | S12268 | M8x14 GB75   | Dog-Point Setscrew  |    |        |            |             |
| 82 | C30031 |              | Handle Seat         |    |        |            |             |
| 83 | C30032 | M6x40 GB4141 | Handle Lever        |    |        |            |             |
| 84 | C30033 | M6x36 GB4141 | Knob                |    |        |            |             |
| 85 | S11642 | M5x10 GB71   | Cone-Point Setscrew |    |        |            |             |
| 86 | C30034 |              | Sleeve              |    |        |            |             |
| 87 | C30035 | 8 GB1155     | Oilcup              |    |        |            |             |
| 88 | C30036 |              | Worm Seat           |    |        |            |             |
| 89 | C30037 |              | Wormgear            |    |        |            |             |
| 90 | C30034 |              | Sleeve              |    |        |            |             |

This page is intentionally blank.



## 25.2 Lathe Head (CB-1220 Series)

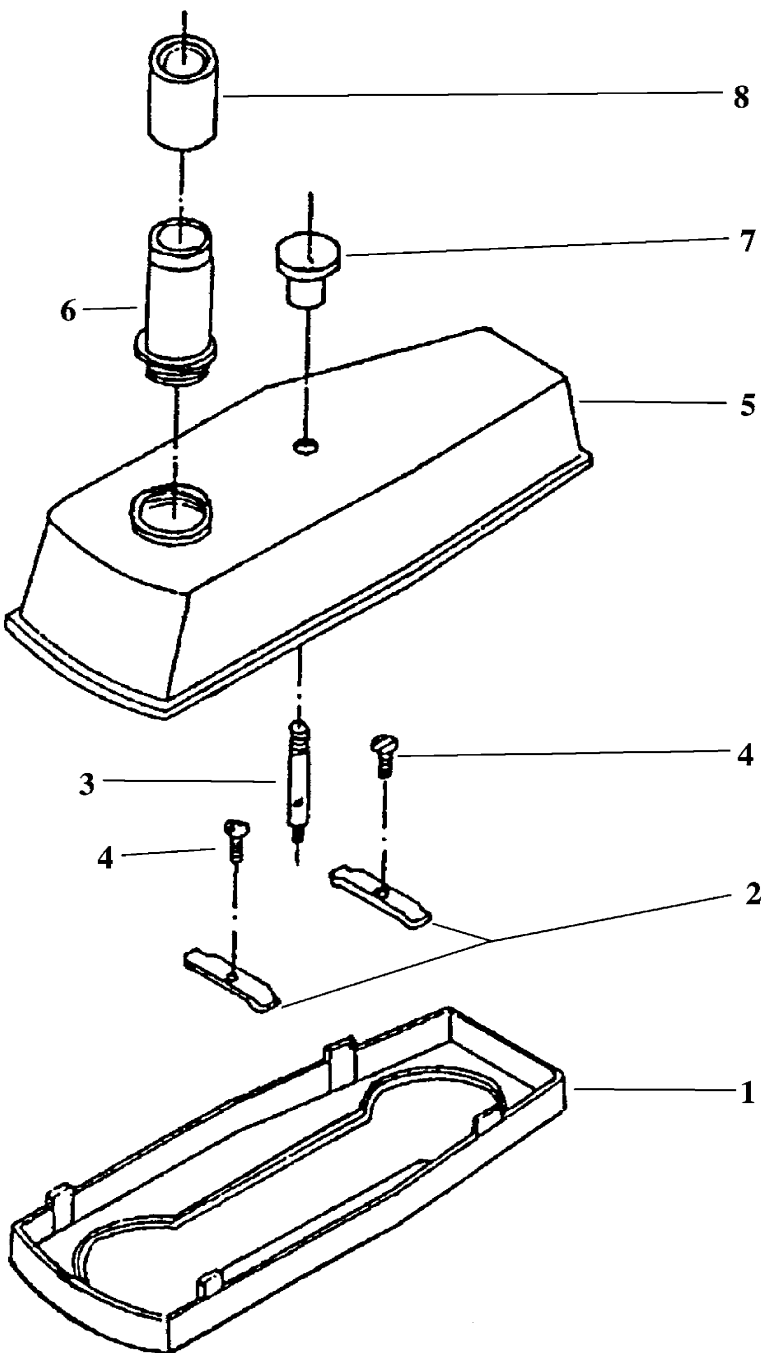
|    |        |                 |                            |    |        |                 |                         |
|----|--------|-----------------|----------------------------|----|--------|-----------------|-------------------------|
| 1  | C30097 |                 | Lathe Spindle              | 31 | S20680 | 113 GB276       | Single-Row Ball Bearing |
| 2  | S21509 | C6x4x12 GB1567  | Thin Flat Key              | 32 | S23410 | 65 GB894        | External Snap Ring      |
| 3  | S21499 | C6x4x10 GB1567  | Thin Flat Key              | 33 | S11724 | M5x30 GB894     | Cheese-Head Screw       |
| 4  | C30014 | 47              | Felt Collar                | 34 | C30112 |                 | Bearing Cap             |
| 5  | S11333 | M4x8 GB819      | Phillips Oval-Head Screw   | 35 | S18075 | 5 GB93          | Spring Washer           |
| 6  | C30098 |                 | Mainshaft Bearing Oil Seal | 36 | S11684 | M5x18 GB65      | Cheese-Head Screw       |
| 7  | S20550 | D20718 GB297    | Tapered Roller Bearing     | 37 | S20500 | 2007107 GB297   | Tapered Roller Bearing  |
| 8  | C30099 | 50 Tooth        | Gear                       | 38 | C30113 |                 | Right Jaw Clutch        |
| 9  | S23290 | 36 GB894        | External Snap Ring         | 39 | S20630 | 110 GB276       | Single-Row Ball Bearing |
| 10 | C30100 |                 | Lathe Head                 | 40 | C30114 |                 | Bearing Seat            |
| 11 | C30101 |                 | Gasket                     | 41 | C30115 |                 | Bevel Gear              |
| 12 | C30102 |                 | Transmission Cover         | 42 | S11342 | M4x10 GB71      | Cone-Point Setscrew     |
| 13 | S11673 | M5x16 GB68      | Countersunk-Head Screw     | 43 | S13198 | M20x20 GB77     | Flat-Point Setscrew     |
| 14 | S24400 | 30x20x2         | O-Ring                     | 44 | C30116 |                 | Sleeve                  |
| 15 | C30103 | M20x1.5 Q/ZB20  | Oil Port Plug              | 45 | C30117 |                 | Oil-Impregnated Bearing |
| 16 | S13198 | M20x20 GB77     | Flat-Point Setscrew        | 46 | S18125 | M8 GB52         | Hexagon Nut             |
| 17 | C30104 |                 | Gasket                     | 47 | C30050 | 6 GB1155        | Oilcup                  |
| 18 | C30105 |                 | Shaft Sleeve               | 48 | S23080 | 9 GB896         | E-Shaped Snap Ring      |
| 19 | C30106 |                 | Pulley Seat                | 49 | S18135 | 8 GB93          | Spring Washer           |
| 20 | C30107 | 0.6x5x15 GB2089 | Spring                     | 50 | C30118 |                 | Spline Housing          |
| 21 | C30199 | 5 GB308         | Steel Ball                 | 51 | C30119 | 24 Tooth        | Gear                    |
| 22 | C30108 |                 | Jaw Clutch                 | 52 | C30153 | 50 Tooth        | Gear                    |
| 23 | S11994 | M6x20 GB65      | Fillister-Head Screw       | 53 | C30120 |                 | End Cap                 |
| 24 | C30109 |                 | Spindle Pulley             | 55 | C30054 | BM8x40 GB4141   | Knob                    |
| 25 | S21950 | 12x14 GB1096    | Plain Parallel Key         | 56 | C30121 |                 | Shaft                   |
| 26 | C30110 |                 | Left Jaw Clutch            | 57 | C30053 | BM8x50 GB4141   | Handle Lever            |
| 27 | C30217 | 35 GB858        | Lockwasher                 | 58 | C30122 |                 | Triple Gear             |
| 28 | C30218 | M35x1.5 GB812   | Round Nut                  | 59 | C30123 |                 | Duplex Gear             |
| 29 | C30111 |                 | Clutch Sleeve              | 60 | C30124 | 12x50 GB4141    | Handle Seat             |
| 30 | S11343 | M4x10 GB820     | Phillips Pan-Head Screw    | 61 | C30125 | 0.8x5x25 GB2089 | Spring                  |
|    |        |                 |                            | 62 | C30126 | 65 GB308        | Steel Ball              |

## 25.2 Lathe Head (CB-1220 Series, cont.)

|    |        |               |                         |
|----|--------|---------------|-------------------------|
| 63 | S22185 | 5x50 GB117    | Taper Pin               |
| 64 | S11643 | M5x10 GB68    | Countersunk-Head Screw  |
| 65 | C30127 |               | Location Plate          |
| 66 | S24200 | 15x2.4 GB1235 | O-Seal Ring             |
| 67 | C30128 |               | Shifting Yoke           |
| 68 | C30129 |               | Loose Piece             |
| 69 | S12618 | M10x25 GB79   | Setscrew                |
| 70 | S22420 |               | Locking Pin             |
| 71 | S21110 | 4x8 GB1096    | Plain Parallel Key      |
| 72 | S21320 | 5x40 GB1096   | Plain Parallel Key      |
| 73 | C30130 |               | Output Shaft            |
| 74 | C30131 | 10 JB283      | Oil Level Indicator     |
| 75 | C30132 |               | Spacing Sleeve          |
| 76 | C30133 |               | Oil-Impregnated Bearing |
| 77 | C30134 |               | End Cap                 |
| 78 | S11618 | M5x6 GB73     | Flat-Point Setscrew     |
| 79 | S11643 | M5x10 GB68    | Countersunk Screw       |
| 80 | C30135 |               | Middle Shaft            |
| 81 | C30136 |               | Shaft Nose              |
| 82 | S12314 | M8x25 GB822   | Cheese-Head Screw       |
| 91 | C30553 |               | Spacer                  |

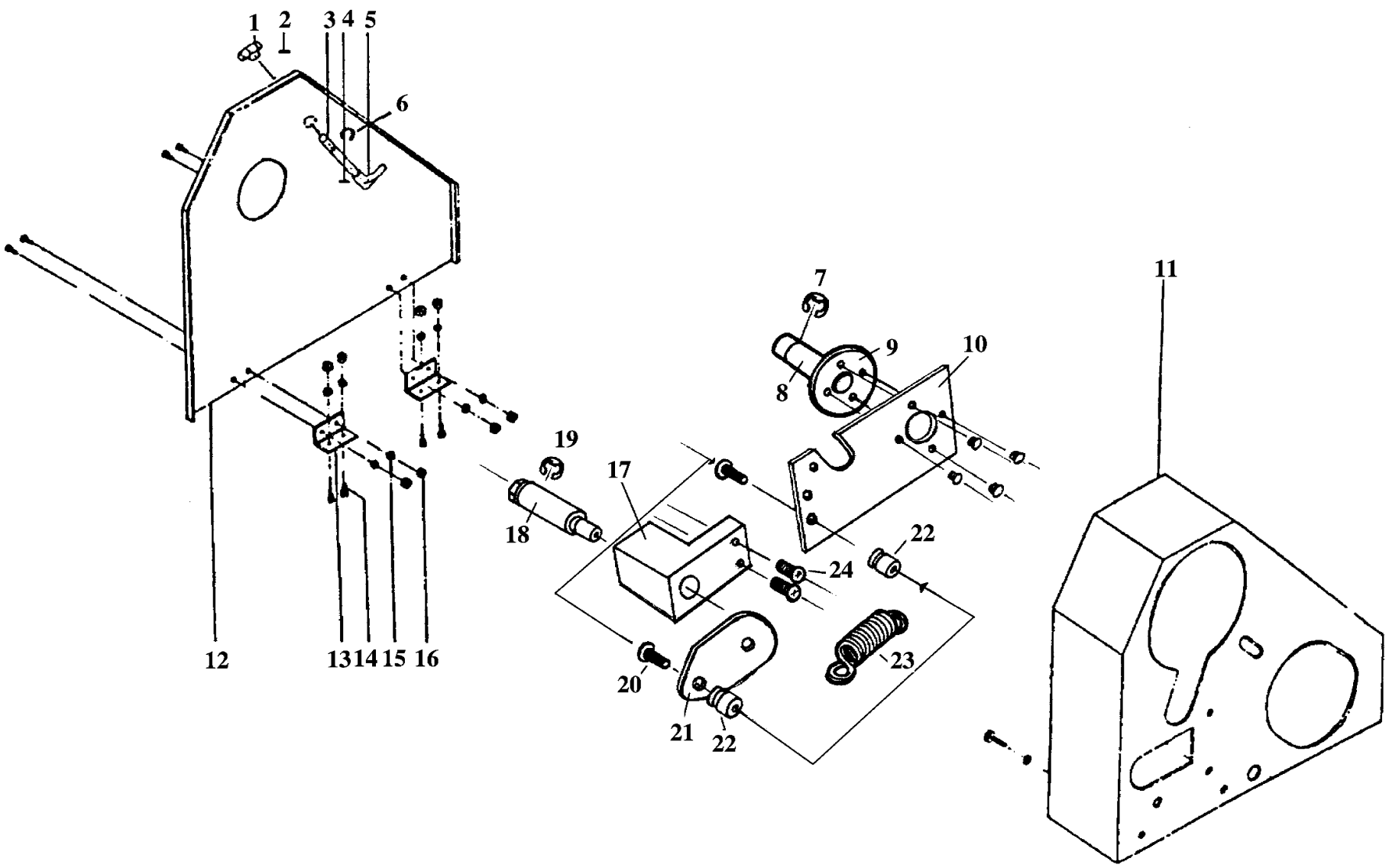


*This page is intentionally blank.*



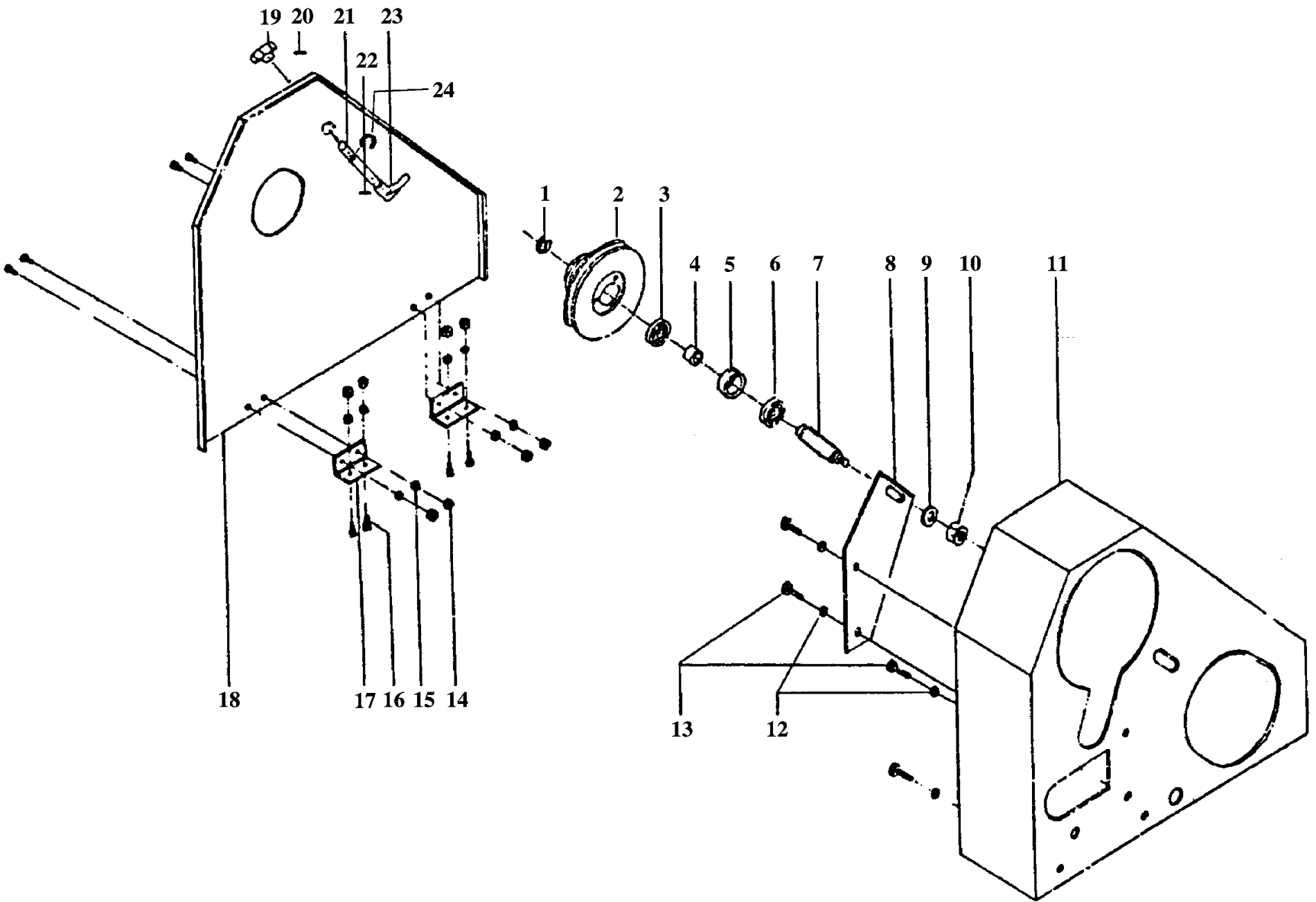
### 25.3 Spindle/Pulley Cover (CB-1220 Series)

|   |        |            |                         |
|---|--------|------------|-------------------------|
| 1 | C30040 |            | Pulley Shell Base Cover |
| 2 | C30041 |            | Plate                   |
| 3 | C30042 |            | Stud                    |
| 4 | S11965 | M6x14 GB67 | Round-Head Screw        |
| 5 | C30043 |            | Pulley Shell Top Cover  |
| 6 | C30044 |            | Spindle Cover           |
| 7 | C30030 |            | Cone Knob               |
| 8 | C30045 |            | Spindle Top Cover       |



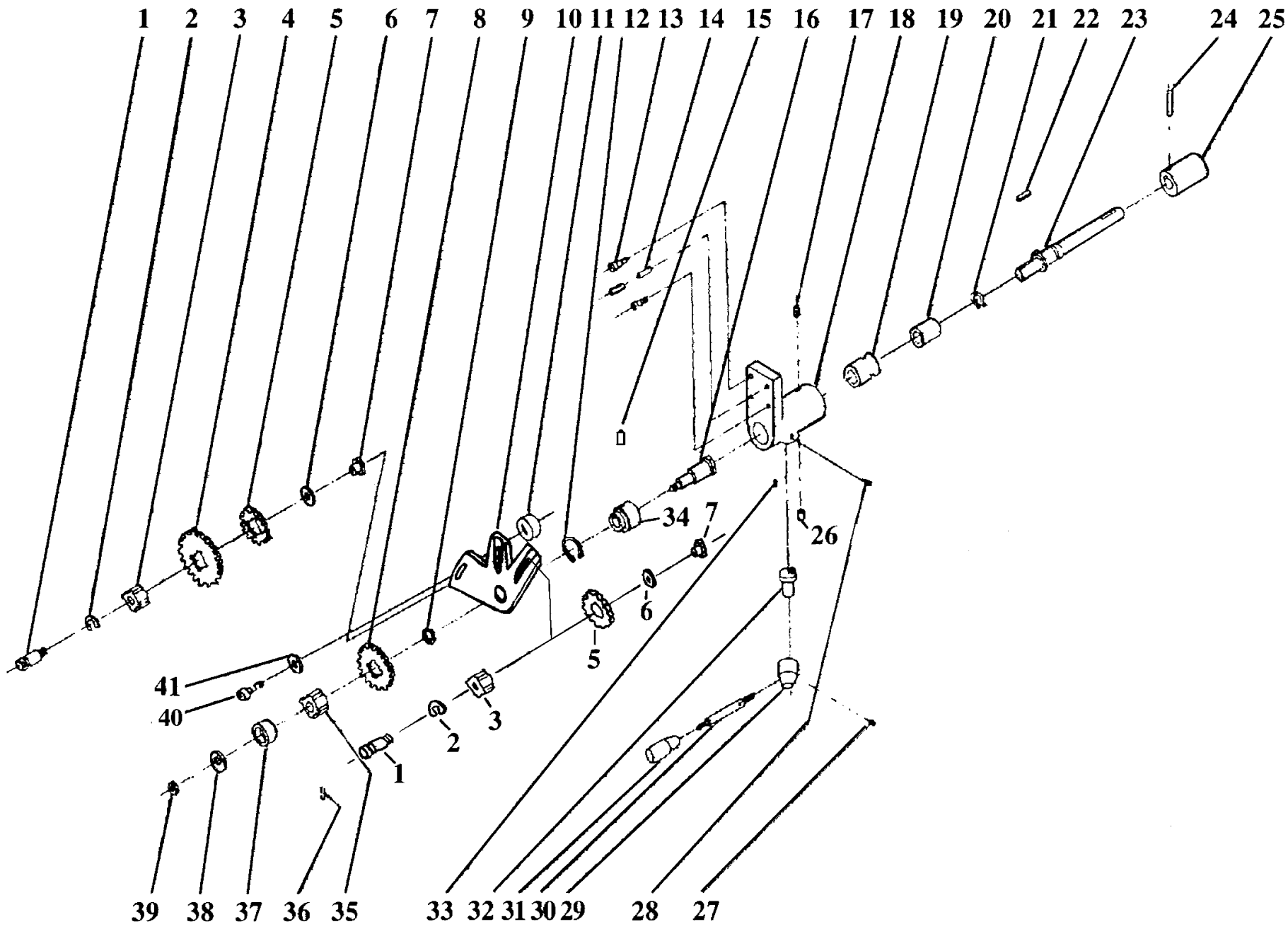
## 25.4 CB-1220 XL Gearbox

|                  |        |            |                        |
|------------------|--------|------------|------------------------|
| 1                | C30483 |            | Doorknob               |
| 2                | S22140 |            | Pin                    |
| 3                | C30092 |            | Shaft                  |
| 4                | S22140 |            | Pin                    |
| 5                | C30093 |            | Locking Cam            |
| 6                | S23050 |            | Snap Ring              |
| 7                | S23205 |            | Snap Ring              |
| 8                | C30453 |            | Pulley Shaft           |
| 9                | C30459 |            | Fixing Plate           |
| 10               | C30455 |            | Baseplate              |
| 11               | C30140 |            | Gearbox                |
| 12               | C30142 |            | Gearbox Door           |
| 13               | C30141 |            | Hinge                  |
| 14               | S11344 | M4x10 GB65 | Fillister-Head Screw   |
| 15               | S18045 | M4 GB93    | Lockwasher             |
| 16               | S18030 | M4 GB52    | Hexagon Nut            |
| 17               | C30452 |            | Fixing-Shaft Seal      |
| 18               | C30451 |            | Fixing Shaft           |
| 19               | S23140 |            | Snap Ring              |
| 20               | S11673 | M5x15      | Screw                  |
| 21               | C30450 |            | Washer Plate           |
| 22               | C30449 |            | Sleeve                 |
| 23               | C30456 |            | Spring                 |
| 24               | S11953 | M6x12      | Screw                  |
| (1-6)            | C39025 |            | Door Locking Assembly  |
| (1-6,<br>11-16)  | C39011 |            | Gearbox Cover Assembly |
| (7-10,<br>17-24) | C39024 |            | Idler Pulley Assembly  |



### 25.5 Gearbox (CB-1220)

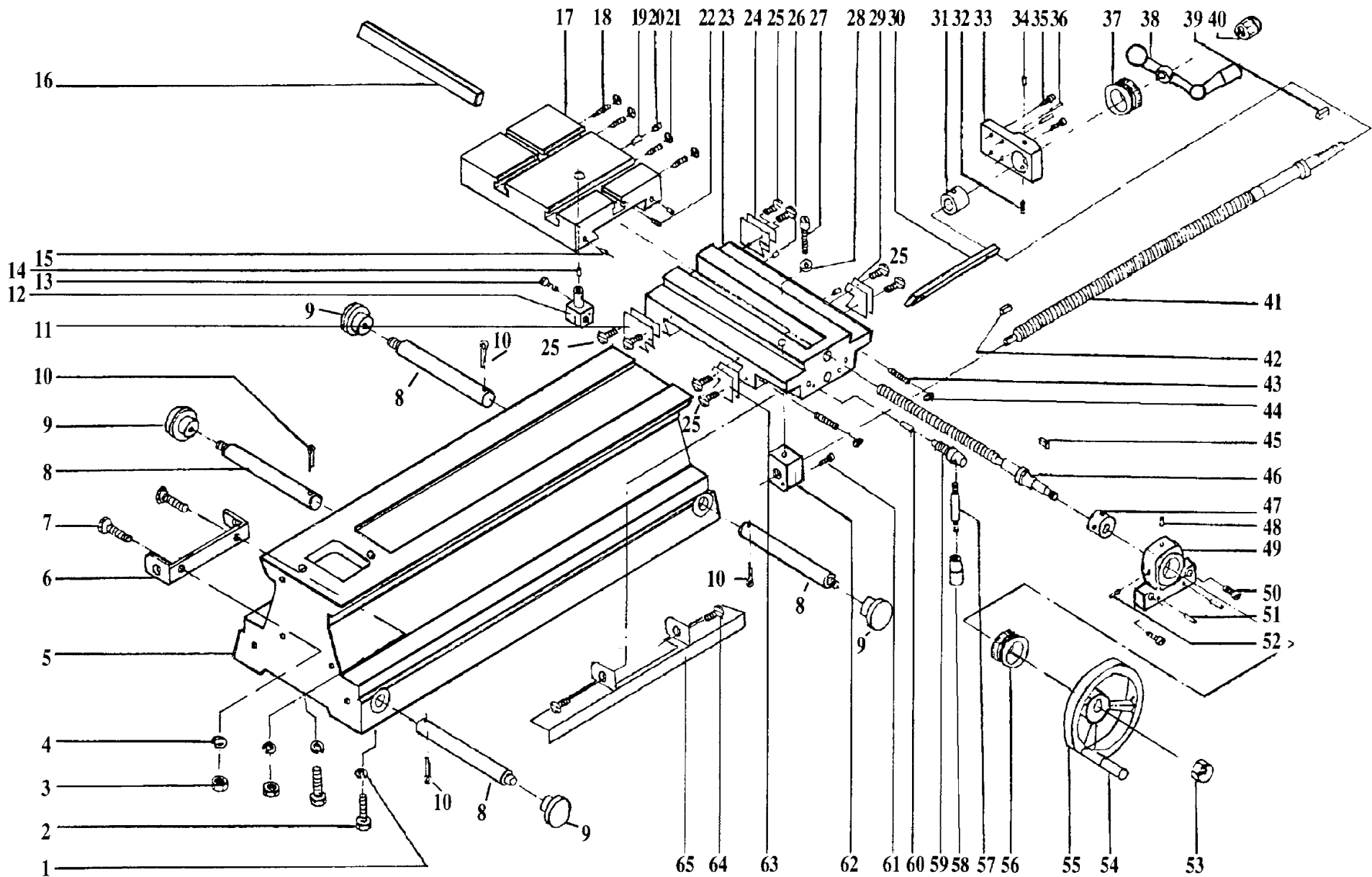
|         |        |            |                        |
|---------|--------|------------|------------------------|
| 1       | S23205 |            | Snap Ring              |
| 2       | C30137 |            | Idler Pulley           |
| 3       | S20260 |            | Bearing                |
| 4       | C30197 |            | Inner Spacer           |
| 5       | C30197 |            | Outer Spacer           |
| 6       | S20260 |            | Bearing                |
| 7       | C30138 |            | Pulley Shaft           |
| 8       | C30139 |            | Stabilizer Plate       |
| 9       | S18200 | M12        | Washer                 |
| 10      | S18185 | M12        | Hexagon Nut            |
| 11      | C30140 |            | Gearbox                |
| 12      | S18135 | M8         | Spring Washer          |
| 13      | S12270 | M8x15 GB30 | Hexagon-Head Bolt      |
| 14      | S18030 | M4 GB52    | Hexagon Nut            |
| 15      | S18045 | M4 GB93    | Lockwasher             |
| 16      | S11344 | M4x10 GB65 | Fillister-Head Screw   |
| 17      | C30141 |            | Hinge                  |
| 18      | C30142 |            | Gearbox Door           |
| 19      | C30483 |            | Doorknob               |
| 20      | S22140 |            | Pin                    |
| 21      | C30092 |            | Shaft                  |
| 22      | S22140 |            | Pin                    |
| 23      | C30093 |            | Locking Cam            |
| 24      | S23050 |            | Snap Ring              |
| (1-6)   | C39024 |            | Idler Pulley Assembly  |
| (11,    |        |            |                        |
| 14-23)  | C39011 |            | Gearbox Cover Assembly |
| (19-24) | C39025 |            | Door Locking Assembly  |





## 25.6 Gear/Powerfeed (CB-1220 Series)

|    |  |             |                                |        |              |            |                      |
|----|--|-------------|--------------------------------|--------|--------------|------------|----------------------|
| 1  | C30080                                     |             | Change-Gear Shaft              | 32     | C30090       |            | Eccentric Axis       |
| 2  | S23080                                     | 9 GB896     | E-Shaped Snap Ring             | 33     | S11612       | M5x6 GB71  | Cone-Point Setscrew  |
| 3  | C30081                                     |             | Spline Housing                 | 34     | C30091       |            | Shaft Sleeve         |
| 4  | <Listed as Gear B in Installation Diagram> |             |                                | 35     | C30081       |            | Spline Housing       |
| 5  | <Listed as Gear C in Installation Diagram> |             |                                | 36     | S22050       | 3x14 GB119 | Straight Pin         |
| 6  | C30215                                     |             | Washer                         | 37     | C30206       |            | Pressure Sleeve      |
| 7  | C30082                                     |             | T-Nut                          | 38     | C30216       |            | Washer               |
| 8  | <Listed as Gear D in Installation Diagram> |             |                                | 39     | S18095       | M6 GB52    | Nut                  |
| 9  | S18170                                     | 10 GB95     | Washer                         | 40     | S12331       | M8x35      | Hexagon-Head Bolt    |
| 10 | C30083                                     |             | Change-Gear Plate              | 41     | S18140       | M8         | Washer               |
| 11 | C30462                                     |             | Spacer                         | (1-41) | C39008       |            | Change-Gear Assembly |
| 12 | S23230                                     | 26 GB894    | External Snap Ring             |        |              |            |                      |
| 13 | S11971                                     | M6x16 GB70  | Capscrew                       |        | Change Gears |            |                      |
| 14 | S22170                                     | 5x20 GB117  | Taper Pin                      |        | C31012       |            | Gear Set             |
| 15 | C30050                                     | 6 GB1155    | Oilcup                         |        | C30143       |            | 27-Tooth Gear        |
| 16 | C30084                                     |             | Jaw-Clutch Shaft               |        | C30144       |            | 30-Tooth Gear        |
| 17 | S11612                                     | M5x6 GB71   | Cone-Point Setscrew            |        | C30145       |            | 32-Tooth Gear        |
| 18 | C30085                                     |             | Left Trestle                   |        | C30146       |            | 33-Tooth Gear        |
| 19 | C30086                                     |             | Hexagon-Socket Sliding Bushing |        | C30147       |            | 36-Tooth Gear        |
| 20 | C30087                                     |             | Bush Bearing                   |        | C30148       |            | 39-Tooth Gear        |
| 21 | S23170                                     | 15 GB894    | External Snap Ring             |        | C30149       |            | 40-Tooth Gear        |
| 22 | S21170                                     | 4x20 GB1096 | Plain Parallel Key             |        | C30150       |            | 42-Tooth Gear        |
| 23 | C30088                                     |             | Shaft                          |        | C30151       |            | 48-Tooth Gear        |
| 24 | S22180                                     | M5x28       | Taper Pin                      |        | C30152       |            | 49-Tooth Gear        |
| 25 | C30089                                     |             | Sleeve Coupling                |        | C30153       |            | 50-Tooth Gear        |
| 26 | C30050                                     | 6 GB1155    | Oilcup                         |        | C30154       |            | 51-Tooth Gear        |
| 27 | S11612                                     | M5x6 GB71   | Cone-Point Setscrew            |        | C30155       |            | 54-Tooth Gear        |
| 28 | S11338                                     | M4x8 GB75   | Dog-Point Setscrew             |        | C30157       |            | 56-Tooth Gear        |
| 29 | C30096                                     |             | Handle Base                    |        | C30158       |            | 57-Tooth Gear        |
| 30 | C30032                                     |             | Handle                         |        | C30159       |            | 60-Tooth Gear        |
| 31 | C30033                                     |             | Knob                           |        | C30160       |            | 63-Tooth Gear        |



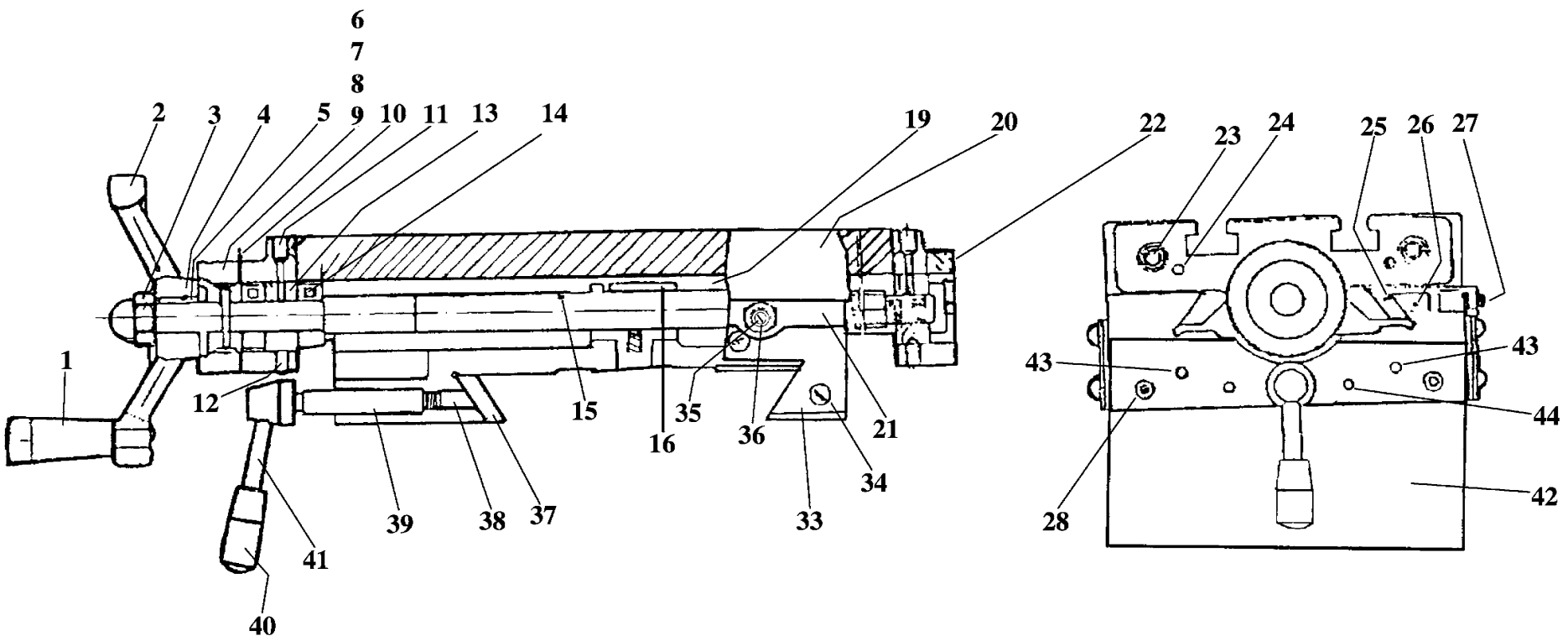
## 25.7 Bed and Carriage (CB-1220 Series)

|    |        |             |                                 |    |        |                |                                      |
|----|--------|-------------|---------------------------------|----|--------|----------------|--------------------------------------|
| 1  | S19165 | M10x30 GB30 | Spring Washer                   | 32 | S11948 | M6x10 GB71     | Cone-Point Setscrew                  |
| 2  | S12620 | 10 GB93     | Hexagon-Head Bolt               |    | S11992 | M6x20          | Setscrew                             |
| 3  | S18155 | BM10 GB52   | Hexagon Nut                     | 33 | C30068 |                | Trestle                              |
| 4  | S18165 | 10 GB93     | Spring Washer                   | 34 | C30050 | 6 GB1155       | Oilcup                               |
| 5  | C30061 |             | Bed                             | 35 | S11971 | M6x16 GB70     | Capscrew                             |
| 6  | C30062 |             | Motor Mount                     | 36 | S22170 | 5x20 GB117     | Taper Pin                            |
| 7  | S12623 | M10x30 GB68 | Countersunk-Head Screw          | 37 | C30069 |                | Dial                                 |
| 8  | C30063 |             | Lift Pin                        | 38 | C30070 | 12x50 GB4141-9 | Ball-Crank Handle                    |
| 9  | C30030 |             | Cone Knob                       | 39 | S21140 | 4x18 GB1096    | Plain Parallel Key                   |
| 10 | S22540 | 3x25 GB91   | Cotter Pin                      | 40 | S18190 | M12 GB923      | Acorn Nut (CB-1220)                  |
| 11 | C30443 |             | Wipe-Back Left                  |    | S18160 | M10            | Acorn Nut (CB-1220 XL)               |
| 12 | C30213 |             | Nut                             | 41 | C30071 |                | Longitudinal-Feed Screw (CB-1220)    |
| 13 | S11074 | 3x16        | Screw                           |    |        |                | Longitudinal-Feed Screw (CB-1220 XL) |
| 14 | C30050 | 6 GB1155    | Oilcup                          |    | C30074 |                | Longitudinal-Feed Screw (CB-1220 XL) |
| 15 | C30035 | 8 GB1155    | Oilcup                          |    |        |                | Longitudinal-Feed Screw (CB-1220 XL) |
| 16 | C30473 |             | Gib                             | 42 | S21260 | 5x20 GB1096    | Plain Parallel Key                   |
| 17 | C30064 |             | Carriage Top                    | 43 | S12348 | M8x40          | Setscrew                             |
| 18 | S12348 | M8x40       | Setscrew                        | 44 | S18125 |                | Jam Nut                              |
| 19 | S22420 |             | Locking Pin                     | 45 | S21140 | 4x18 GB1096    | Plain Parallel Key                   |
| 20 | S12568 | M10x14 GB79 | Setscrew                        | 46 | C30072 |                | Cross-Feed Screw                     |
| 21 | S18125 |             | Jam Nut                         | 47 | C30073 |                | Bush Bearing                         |
| 22 | S11952 | M6x12 GB71  | Cone-Point Setscrew             | 48 | C30035 | 8 GB1155       | Oilcup                               |
| 23 | C30065 |             | Carriage Base                   | 49 | C30076 |                | Cross-Feed Screw Seat                |
| 24 | C30446 |             | Wipe-Back Right                 | 50 | S12271 | M8x16 GB70     | Capscrew                             |
| 25 | S11935 |             | Round-Head Screw                | 51 | S22170 | 5x20 GB117     | Taper Pin                            |
| 26 | C30035 | 8 GB1155    | Oilcup                          | 52 | S11952 | M6x12 GB71     | Cone-Point Setscrew                  |
| 27 | S12031 | M6x35 GB70  | Capscrew                        | 53 | S18160 | M10 GB923      | Acorn Nut                            |
| 28 | S18110 | 6 GB97      | Washer                          | 54 | C30060 | M8x65 JB1335   | Handle with Sleeve                   |
| 29 | C30445 |             | Wipe-Front Right                | 55 | C30059 | 12x125 JB1353  | Handwheel                            |
| 30 | C30066 |             | Gib                             | 56 | C30214 |                | Dial                                 |
| 31 | C30067 |             | Longitudinal-Screw Bush Bearing | 57 | C30032 | M6x40 GB4141   | Handle Lever                         |

## 25.7 Bed and Carriage (CB-1220 Series, cont.)

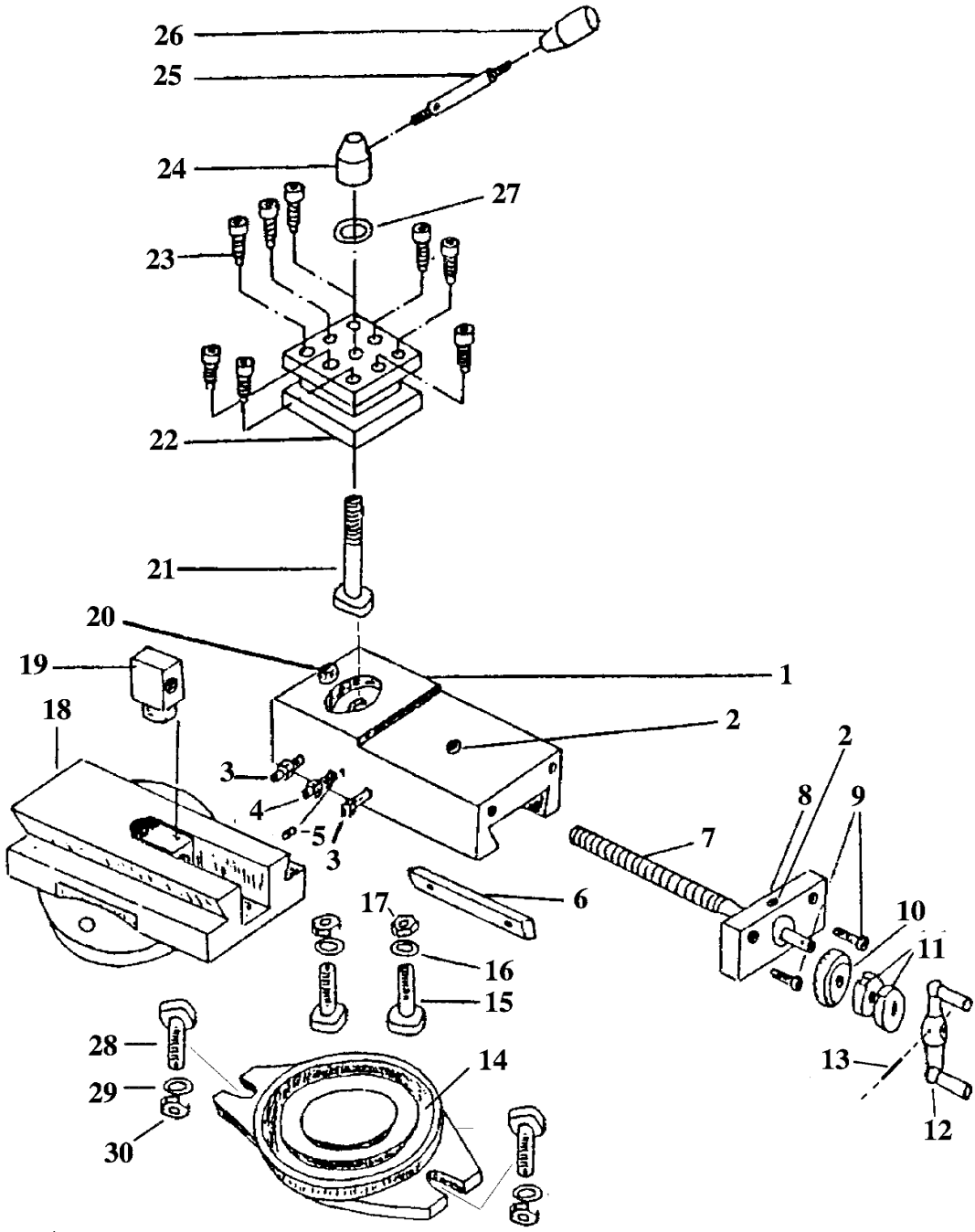
|    |        |              |                                       |
|----|--------|--------------|---------------------------------------|
| 58 | C30033 | M6x36 GB4141 | Knob                                  |
| 59 | C30077 |              | Handle Seat                           |
| 60 | S22420 |              | Locking Pin                           |
| 61 | S11671 | M5x16        | Screw                                 |
| 62 | C30078 |              | Longitudinal-Feed<br>Nut (CB-1220)    |
|    | C30467 |              | Longitudinal-Feed<br>Nut (CB-1220 XL) |
| 63 | C30444 |              | Wipe-Front Left                       |
| 64 | S11655 | M5x12        | Round-Head Screw                      |
| 65 | C30079 |              | Leadscrew Cover<br>(CB-1220)          |
|    | C30463 |              | Leadscrew Cover<br>(CB-1220 XL)       |

*This page is intentionally blank.*



## 25.8 Table (CB-1220 XL)

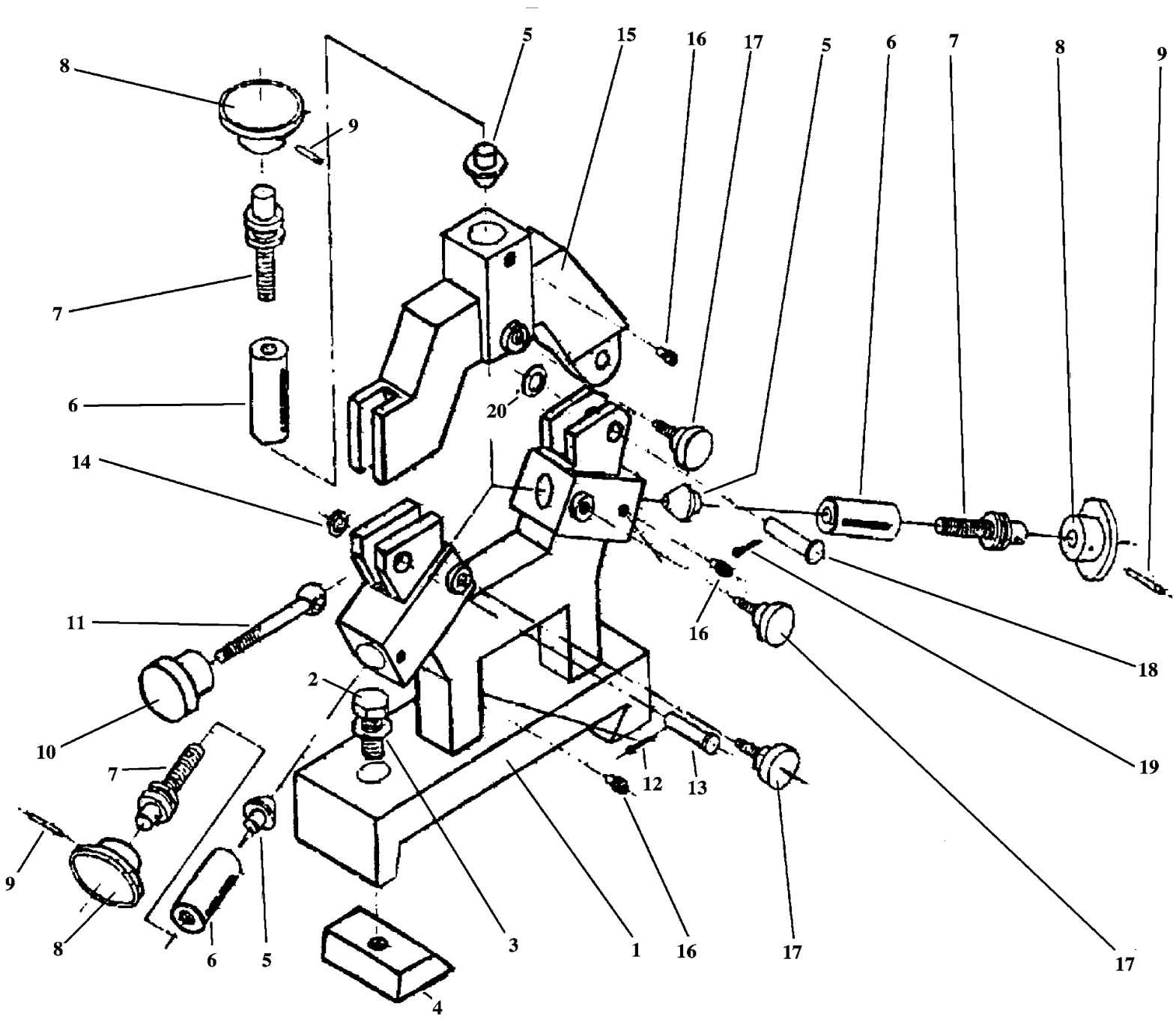
|    |        |                |                  |       |        |               |               |
|----|--------|----------------|------------------|-------|--------|---------------|---------------|
| 1  | C30278 | M8x65 GB4141   | Handle           | 34    | S11935 | M6x8 GB818-85 | Screw         |
| 2  | C30277 | B12x25 GB4141  | Handwheel        | 35    | S12338 | M8x35 GB79-85 | Screw         |
| 3  | S18160 | M10 GB923-88   | Nut              | 36    | S18130 | M8 GB6172-85  | Nut           |
| 4  | S21130 | 4x14 GB1196-79 | Key              | 37    | C30066 |               | Gib           |
| 5  | C30413 |                | Washer           | 38    | S22420 |               | Locking Pin   |
| 6  | C30172 |                | Dial             | 39    | C30447 |               | Handle Seat   |
| 7  | C30173 |                | Spring           | 40    | C30033 | M6x26 GB4141  | Handle Sleeve |
| 8  | C30414 |                | Sleeve           | 41    | C30032 | M6x40 Gb4141  | Lever         |
| 9  | S22154 | 4x25 GB117-86  | Pin              | 42    | C30468 |               | Apron         |
| 10 | C30415 |                | Screw Seat       | 43    | S11971 | M6x16         | Bolt          |
| 11 | C30035 | 8 GB1155-79    | Oilcup           | 44    | S22175 | 5x26          | Pin           |
| 12 | S11952 | 6x12           | Setscrew         | (5-8) | C39029 |               | Dial Assembly |
| 13 | C30416 |                | Sleeve           |       |        |               |               |
| 14 | S20090 | 8801           | Bearing          |       |        |               |               |
| 15 | C30417 |                | Cross-Feed Screw |       |        |               |               |
| 16 | C30418 |                | Cross-Feed Nut   |       |        |               |               |
| 19 | S11374 | M4x16 GB70-85  | Screw            |       |        |               |               |
| 20 | C30419 |                | Table            |       |        |               |               |
| 21 | C30420 |                | Carriage         |       |        |               |               |
| 22 | C30421 |                | End Piece        |       |        |               |               |
| 23 | S12271 | M8x16 GB70-85  | Screw            |       |        |               |               |
| 24 | S22175 | 5x26 GB117-86  | Pin              |       |        |               |               |
| 25 | C30422 |                | Gib              |       |        |               |               |
| 26 | S22420 |                | Locking Pin      |       |        |               |               |
| 27 | S12568 | M10x14 GB79-85 | Screw            |       |        |               |               |
| 28 | S12338 | M8x35 GB79-85  | Screw            |       |        |               |               |
| 29 | C30443 |                | Wipe-Left Rear   |       |        |               |               |
| 30 | C30444 |                | Wipe-Left Front  |       |        |               |               |
| 31 | S11935 | M6x8 GB818-85  | Screw            |       |        |               |               |
| 32 | C30445 |                | Wipe-Right Front |       |        |               |               |
| 33 | C30446 |                | Wipe-Right Rear  |       |        |               |               |





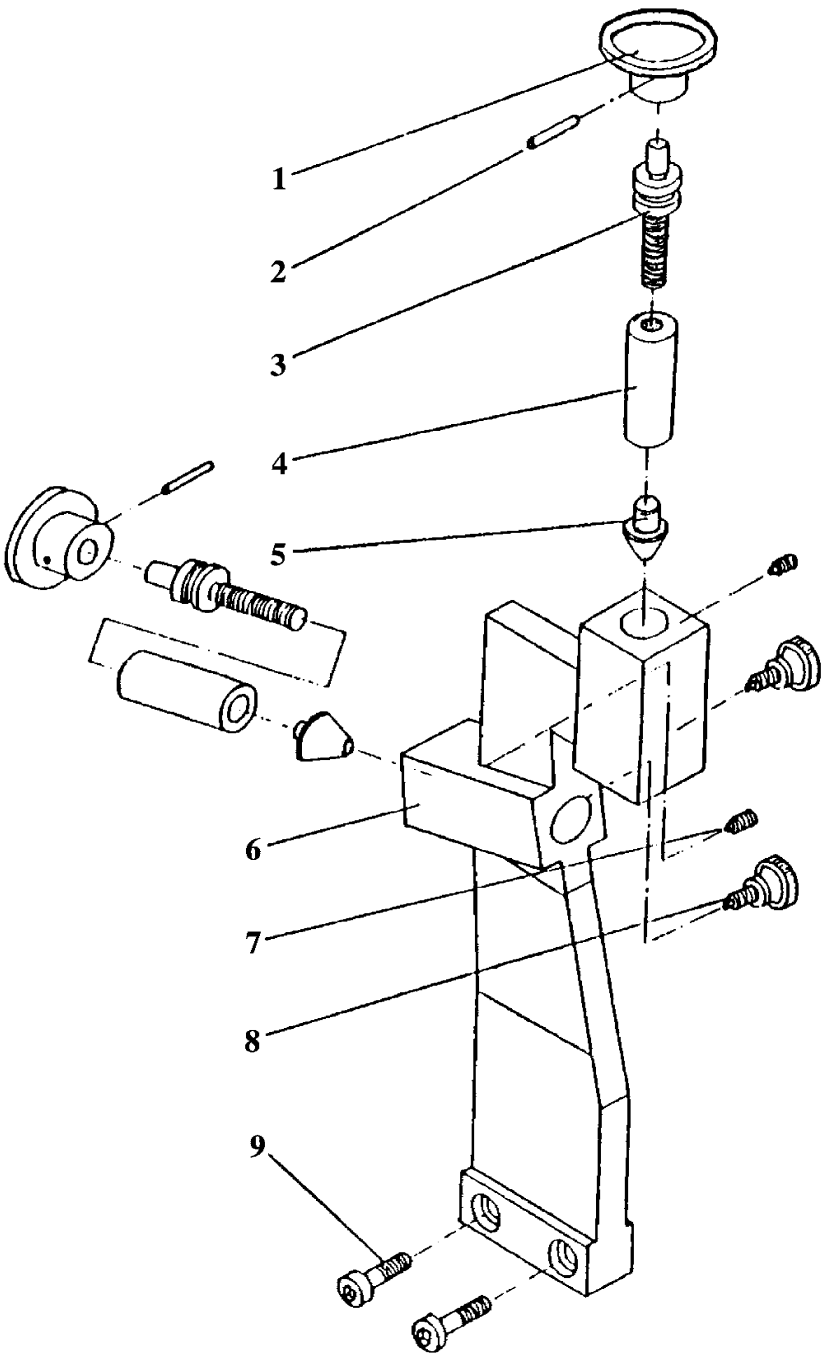
### 25.9 Compound-Angle Toolpost (CB-1220 Series)

|                |        |         |                              |    |        |       |                                     |
|----------------|--------|---------|------------------------------|----|--------|-------|-------------------------------------|
| 1              | C30175 |         | Sliding Carriage             | 28 | S12626 | 10x30 | Bolt (To attach to the cross-slide) |
| 2              | C30050 |         | Oilcup                       |    |        |       |                                     |
| 3              | S11672 | M5x16   | Cone-Point Hexscrew with Nut | 29 | S18170 | M10   | Washer                              |
|                |        |         |                              | 30 | S18155 | M10   | Nut                                 |
| 4              | S11640 | M5x10   | Setscrew with Hex Nut        |    |        |       |                                     |
| 5              | S22410 |         | Locking Pin                  |    |        |       |                                     |
| 6              | C30176 |         | Gib                          |    |        |       |                                     |
| 7              | C30177 |         | Screw with Bearing           |    |        |       |                                     |
| 8              | C30178 |         | Hanger                       |    |        |       |                                     |
| 9              | S11971 | M6x16   | Hex-Socket Setscrew          |    |        |       |                                     |
| 10             | C39027 |         | Dial                         |    |        |       |                                     |
| 11             | C30220 |         | Spanner Nut                  |    |        |       |                                     |
| 12             | C30179 |         | Handle                       |    |        |       |                                     |
| 13             | S22110 |         | Taper Pin                    |    |        |       |                                     |
| 14             | C30180 |         | Revolving Bed                |    |        |       |                                     |
| 15             | S12296 | M8x20   | Base Locking Bolt            |    |        |       |                                     |
| 16             | S18140 | M8      | Washer                       |    |        |       |                                     |
| 17             | S18125 | M8x1.25 | Hex Nut                      |    |        |       |                                     |
| 18             | C30181 |         | Carriage Base                |    |        |       |                                     |
| 19             | C30182 |         | Carriage Nut                 |    |        |       |                                     |
| 20             | C30183 |         | Ball with Spring             |    |        |       |                                     |
| 21             | S12696 | M10x65  | Turret Bolt                  |    |        |       |                                     |
| 22             | C30184 |         | Toolpost                     |    |        |       |                                     |
| 23             | S12311 | M8x25   | Hex Socket-Head Screw        |    |        |       |                                     |
| 24             | C30185 |         | Handle Seat                  |    |        |       |                                     |
| 25             | C30053 |         | Toolpost Handle              |    |        |       |                                     |
| 26             | C30054 |         | Long Sleeve Knob             |    |        |       |                                     |
| 27             | C30556 | M10     | Washer                       |    |        |       |                                     |
| (11,<br>14-23) | C31011 |         | Gearbox Cover Assembly       |    |        |       |                                     |



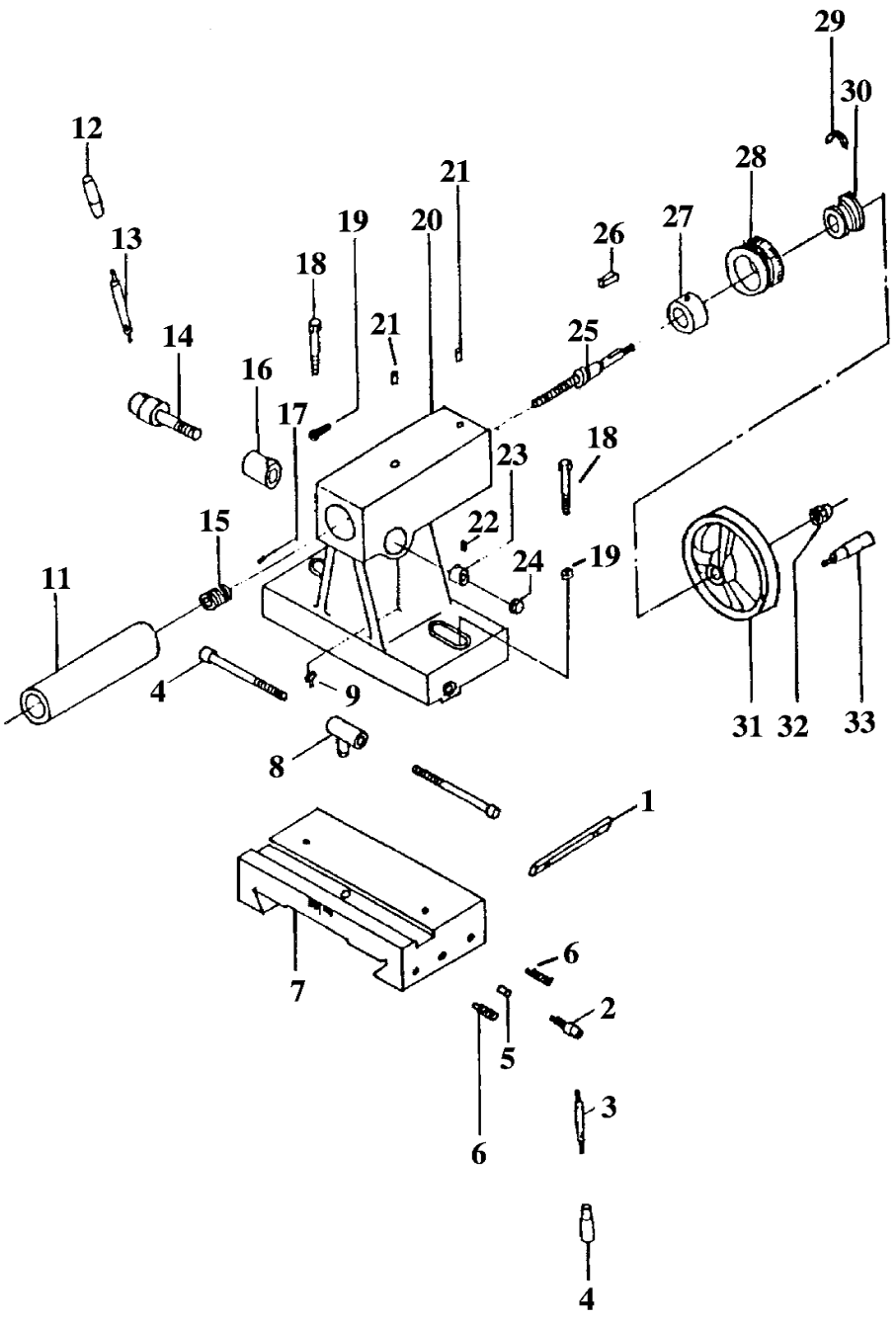
### 25.10 Steady Rest

|       |        |        |                                   |
|-------|--------|--------|-----------------------------------|
| 1     | C30186 |        | Center Frame                      |
| 2     | S12651 | M10x45 | Socket-Head Bolt                  |
| 3     | S18170 | M10    | Washer                            |
| 4     | C30187 |        | Chock                             |
| 5     | C30188 |        | Brass Head                        |
| 6     | C30189 |        | Finger Sleeve                     |
| 7     | C30190 |        | Adjusting Bolt                    |
| 8     | C30191 |        | Knob                              |
| 9     | S22140 |        | Taper Pin                         |
| 10    | C30192 |        | Knob                              |
| 11    | C30193 |        | Dog Bolt                          |
| 12    | S22510 |        | Split Pin                         |
| 13    | S22620 |        | Pivot Pin                         |
| 14    | S18110 | M6     | Washer                            |
| 15    | C30194 |        | Center Frame Head                 |
| 16    | S11948 | M6x10  | Setscrew                          |
| 17    | C30195 |        | Knurled Screw                     |
| 18    | S22620 |        | Pivot Pin                         |
| 19    | S22510 |        | Split Pin                         |
| 20    | S18140 |        | Washer                            |
| (5-6) | C39017 |        | Brass Head and Sleeve<br>Assembly |



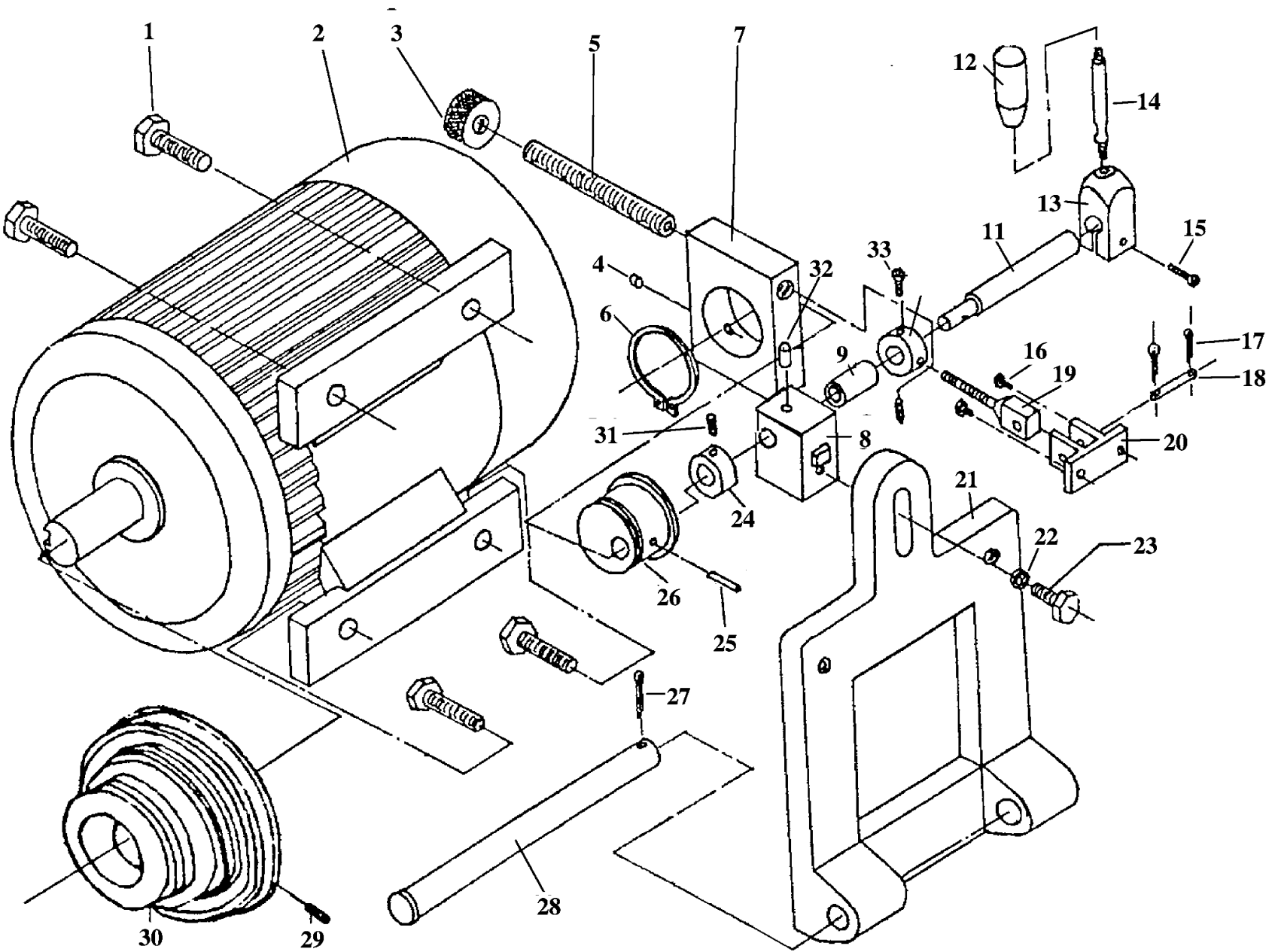
### 25.11 Follow Rest

|       |         |       |                                   |
|-------|---------|-------|-----------------------------------|
| 1     | C30191  |       | Knob                              |
| 2     | S22140  |       | Taper Pin                         |
| 3     | C30190  |       | Adjusting Bolt                    |
| 4     | C30189  |       | Sleeve                            |
| 5     | C30188  |       | Brass Head                        |
| 6     | C30196  |       | Follow Rest Casting               |
| 7     | S11948  | M6x10 | Setscrew                          |
| 8     | C301995 |       | Knurled Screw                     |
| 9     | S12291  | M8x20 | Capscrew                          |
| (4-5) | C39017  |       | Brass Head and Sleeve<br>Assembly |



## 25.12 Adjustable Tailstock (CB-1220 Series)

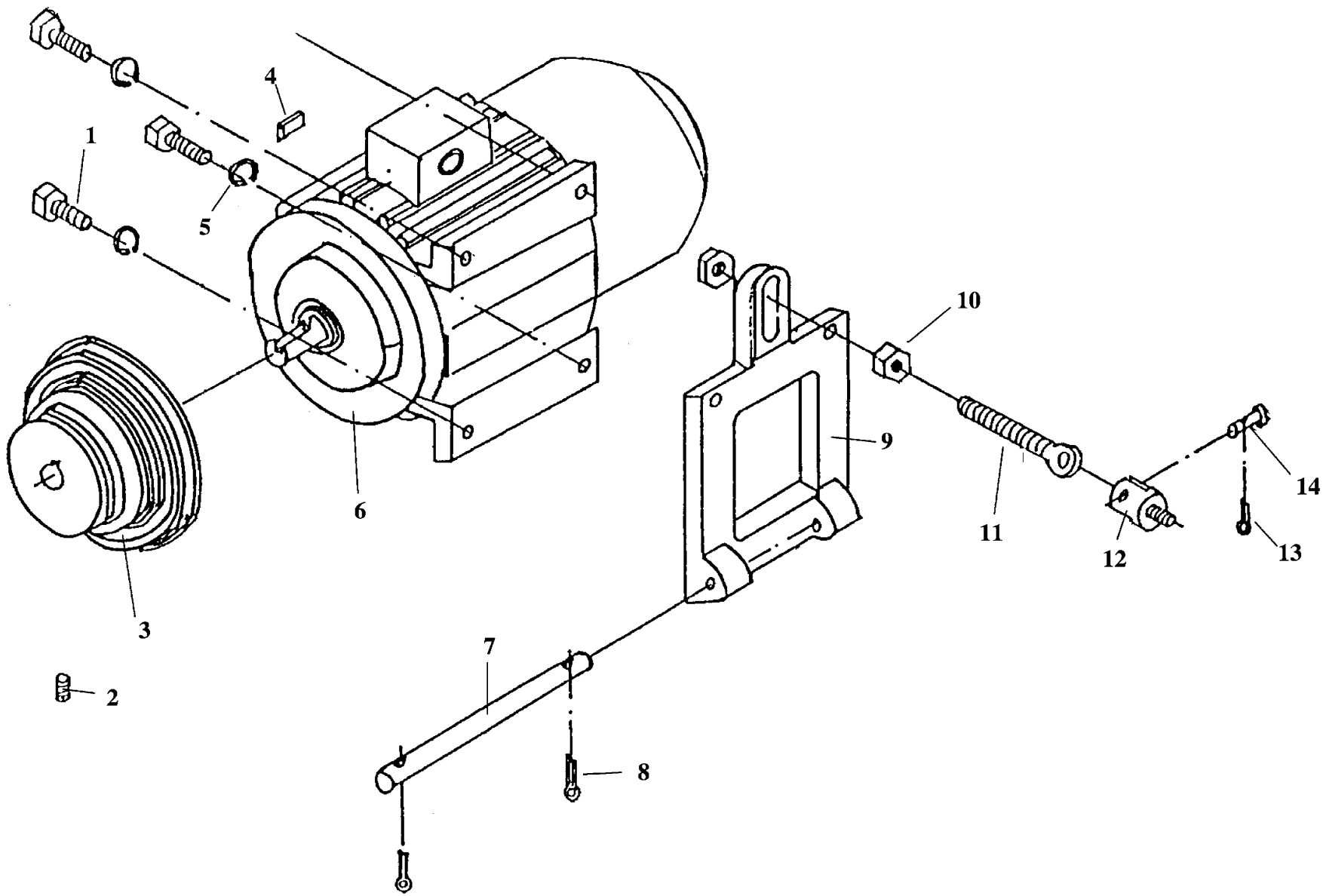
|    |        |        |                     |         |        |                        |
|----|--------|--------|---------------------|---------|--------|------------------------|
| 1  | C30057 |        | Gib                 | 33      | C30060 | Handle                 |
| 2  | C30161 |        | Locking Handle Seat | (1-33)  | C39014 | Tailstock Assembly     |
| 3  | C30032 |        | Handle Lever        | (28-30) | C39015 | Floating Dial Assembly |
| 4  | C30033 |        | Knob                |         |        |                        |
| 5  | S22420 |        | Locking Pin         |         |        |                        |
| 6  | S12318 | M8x2.5 | Setscrew            |         |        |                        |
| 7  | C30162 |        | Tailstock Carriage  |         |        |                        |
| 8  | C30163 |        | Nut                 |         |        |                        |
| 9  | S21211 |        | T-Key               |         |        |                        |
| 10 | S12421 | M8x80  | Capscrew            |         |        |                        |
| 11 | C30164 |        | Tailstock Sleeve    |         |        |                        |
| 12 | C30054 |        | Knob                |         |        |                        |
| 13 | C30053 |        | Handle Lever        |         |        |                        |
| 14 | C30052 |        | Handle Seat         |         |        |                        |
| 15 | C30048 |        | Tailstock Nut       |         |        |                        |
| 16 | C30051 |        | Locking Sleeve      |         |        |                        |
| 17 | S11642 | M5x10  | Setscrew            |         |        |                        |
| 18 | S12640 | M10x40 | Hex-Head Bolt       |         |        |                        |
| 19 | S18170 | M10    | Washer              |         |        |                        |
| 20 | C30168 |        | Tailstock           |         |        |                        |
| 21 | C30050 |        | Oil Nipple          |         |        |                        |
| 22 | S11952 | M6x12  | Setscrew            |         |        |                        |
| 23 | C30049 |        | Locking Nut         |         |        |                        |
| 24 | C30170 |        | Locking Base        |         |        |                        |
| 25 | C30056 |        | Screw               |         |        |                        |
| 26 | S21140 |        | Key                 |         |        |                        |
| 27 | C30171 |        | Sleeve              |         |        |                        |
| 28 | C30172 |        | Dial                |         |        |                        |
| 29 | C30173 |        | Spring              |         |        |                        |
| 30 | C30174 |        | Sleeve              |         |        |                        |
| 31 | C30059 |        | Handwheel           |         |        |                        |
| 32 | S18160 | M10    | Acorn Nut           |         |        |                        |





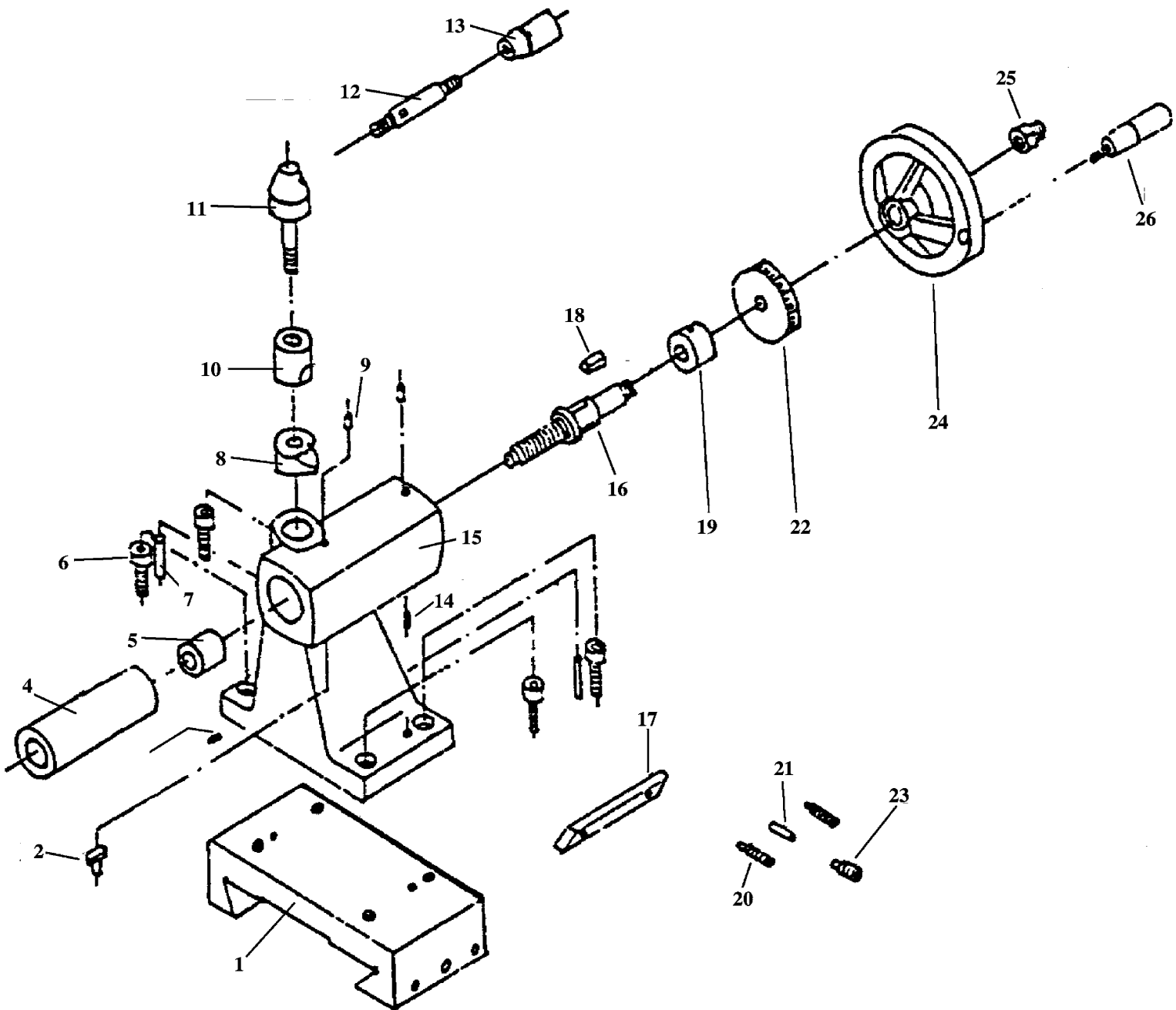
### 25.13 Motor with Tensioner (CB-1220 XL)

|    |        |                 |                               |    |        |             |                  |
|----|--------|-----------------|-------------------------------|----|--------|-------------|------------------|
| 1  | S12290 | M8x20 GB30      | Hexagon-Head Bolt             | 29 | S12248 | M8x10 GB73  | Flat-Point Screw |
| 2  | C30475 |                 | 110-V Motor, 0.55kw, 60 hz    | 30 | C30474 |             | Motor Pulley     |
|    | C30482 |                 | 220-V Motor, 60 hz            | 31 | S11608 | M5x5        | Setscrew         |
| 3  | C30396 | M12             | Screw Arbor with Knurled Knob | 32 | C30050 | 6 GB1155-79 | Oilcup           |
|    |        |                 |                               | 33 | S11641 | M5x10       | Capscrew         |
| 4  | C30050 | 6 GB1155-79     | Oilcup                        |    |        |             |                  |
| 5  | C30448 | M12             | Screw Arbor with Knurled Knob |    |        |             |                  |
| 6  | S23320 | 40 GB894.1-86   | Shaft Circlips--Type A        |    |        |             |                  |
| 7  | C30398 |                 | Set                           |    |        |             |                  |
| 8  | C30399 |                 | Locating Piece                |    |        |             |                  |
| 9  | C30400 |                 | Sleeve                        |    |        |             |                  |
| 10 | C30401 |                 | Locating Piece                |    |        |             |                  |
| 11 | C30402 |                 | Shaft                         |    |        |             |                  |
| 12 | C30054 | M6x36 GB4141.14 | Knob                          |    |        |             |                  |
| 13 | C30403 |                 | Handle Seat                   |    |        |             |                  |
| 14 | C30053 | M6x40 GB4141.15 | Handle Lever                  |    |        |             |                  |
| 15 | S11991 | M6x20 GB70-85   | Capscrew                      |    |        |             |                  |
| 16 | S11670 | M5x15 GB5-76    | Hexagon-Head Bolt             |    |        |             |                  |
| 17 | S22520 | 2x12 GB91-86    | Split Pin                     |    |        |             |                  |
| 18 | C30404 | 6x28 GB119-86   | Pivot Pin                     |    |        |             |                  |
| 19 | C30405 |                 | Attachment Screw Arbor        |    |        |             |                  |
| 20 | C30406 |                 | Motor Tension Plate           |    |        |             |                  |
| 21 | C30476 |                 | Motor Mount                   |    |        |             |                  |
| 22 | S18135 | 8 GB93-87       | Lockwasher                    |    |        |             |                  |
| 23 | S12290 | M8x20 GB5781    | Hexagon-Head Bolt             |    |        |             |                  |
| 24 | C30401 |                 | Locating Sleeve               |    |        |             |                  |
| 25 | S22152 | 4x24 GB117-86   | Taper Pin                     |    |        |             |                  |
| 26 | C30411 |                 | Eccentric Wheel               |    |        |             |                  |
| 27 | S22530 | 3x16            | Cotter Pin                    |    |        |             |                  |
| 28 | C30484 |                 | Straight Pin                  |    |        |             |                  |



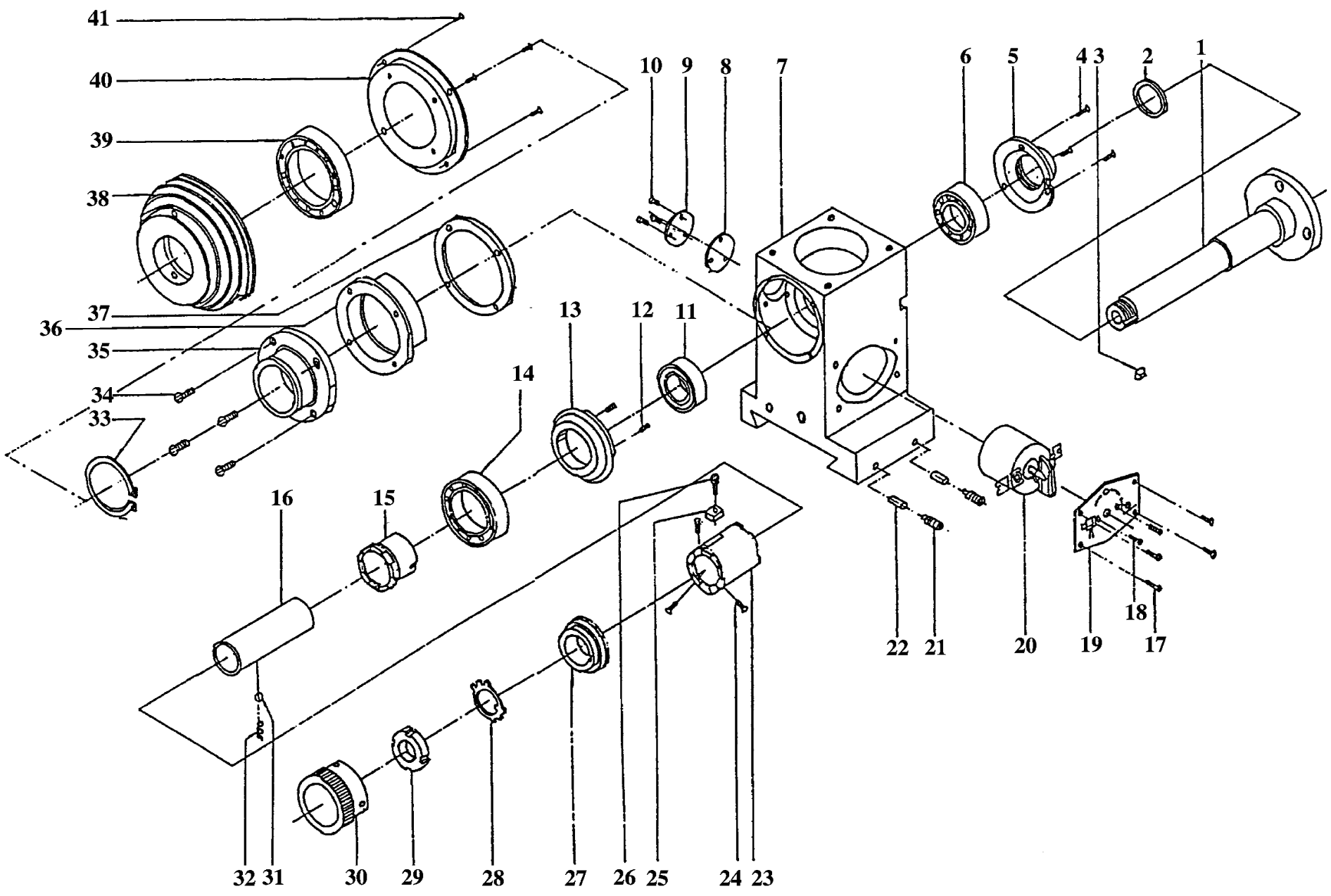
**25.14 Motor (CB-1220 and CM-1114)**

|    |        |              |                             |
|----|--------|--------------|-----------------------------|
| 1  | S12290 | M8x20 GB30   | Hexagon-Head Bolt           |
| 2  | C30474 |              | Motor Pulley                |
| 3  | S12248 | M8x10 GB73   | Flat-Point Setscrew         |
| 4  | S21290 | B5x25 GB1096 | Plain Parallel Key          |
| 5  | S18135 | 8 GB93       | Spring Washer               |
| 6  | C30475 |              | 110-V Motor, 0.55 kw, 60 hz |
|    | C30482 |              | 220-V Motor, 60 hz          |
| 7  | C30484 |              | Straight Pin                |
| 8  | S22530 | 3x16 GB91    | Split Pin                   |
| 9  | C30476 |              | Motor Mount Plate           |
| 10 | S18125 | M8           | Hexagon Nut                 |
| 11 | C30477 |              | Dog Bolt                    |
| 12 | C30478 |              | Forked Standard             |
| 13 | S22520 | 2x12 GB91    | Split Pin                   |
| 14 | S22610 | A6x25 GB882  | Pivot Pin                   |



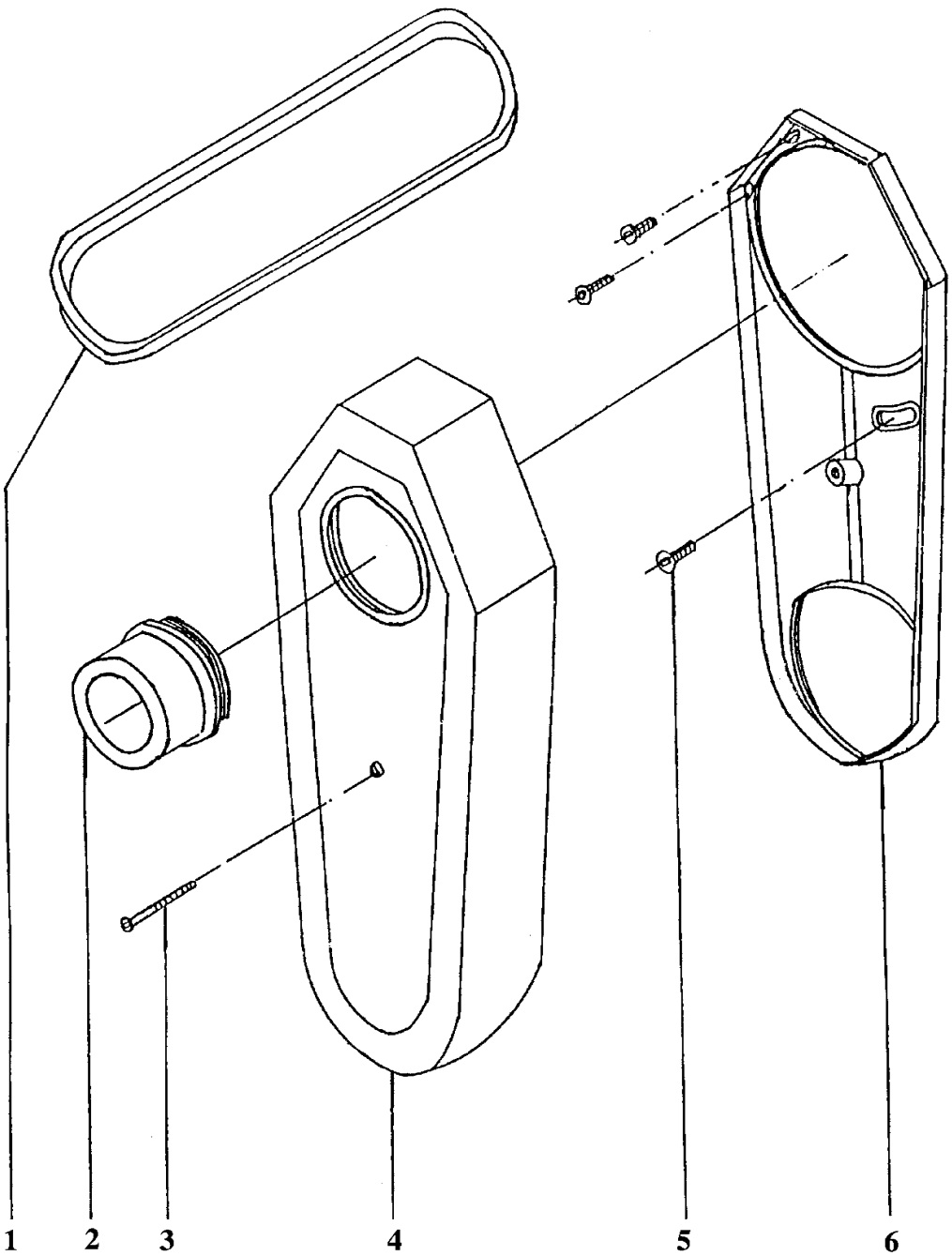
### 25.15 Tailstock Assembly (CM-1114)

|        |        |                  |                                  |
|--------|--------|------------------|----------------------------------|
| 1      | C30046 |                  | Tailstock Carriage               |
| 2      | S21211 |                  | T-key                            |
| 3      | S11642 | M5x10 GB71       | Cone-Point Setscrew              |
| 4      | C30485 |                  | MT2 Tailstock–Center Sleeve      |
| 5      | C30048 |                  | Tailstock Nut                    |
| 6      | S12291 | M8x20 GB70       | Hexagon Socket-Head Screw        |
| 7      | S12190 | 6x30 GB117       | Taper Pin                        |
| 8      | C30049 |                  | Lower Locking Nut                |
| 9      | C30050 | 6 GB1155         | Oilcup                           |
| 10     | C30051 |                  | Upper Locking Nut                |
| 11     | C30052 |                  | Handle Seat                      |
| 12     | C30053 | M8x50 GB4141.15  | Handle Lever                     |
| 13     | C30054 | M8x40 GB4141.14  | Long Handle Knob                 |
| 14     | S11952 | M6x12 GB71       | Cone-Point Setscrew              |
| 15     | C30055 |                  | Tailstock                        |
| 16     | C30056 |                  | Tailstock Screw Stem             |
| 17     | C30057 |                  | Gib                              |
| 18     | S21110 | 4x18 GB1096      | Plain Parallel Key               |
| 19     | C30058 |                  | Sleeve                           |
| 20     | S12318 | M8x25 GB79       | Hexagon Socket Setscrew          |
| 21     | S22420 |                  | Locking Pin                      |
| 22     | C30212 |                  | Dial                             |
| 23     | S12568 | M10x14 GB79      | Hexagon Socket Setscrew          |
| 24     | C30059 | 12x100 GB4141.22 | Handwheel                        |
| 25     | S18160 | M10 GB923        | Domed-Cap Nut                    |
| 26     | C30060 | M6x50 Gb4141.5   | Handle Sleeve                    |
| (1-26) | C31006 |                  | Assembled Tailstock (Non-Offset) |



## 25.16 Lathe Head (CM-1114)

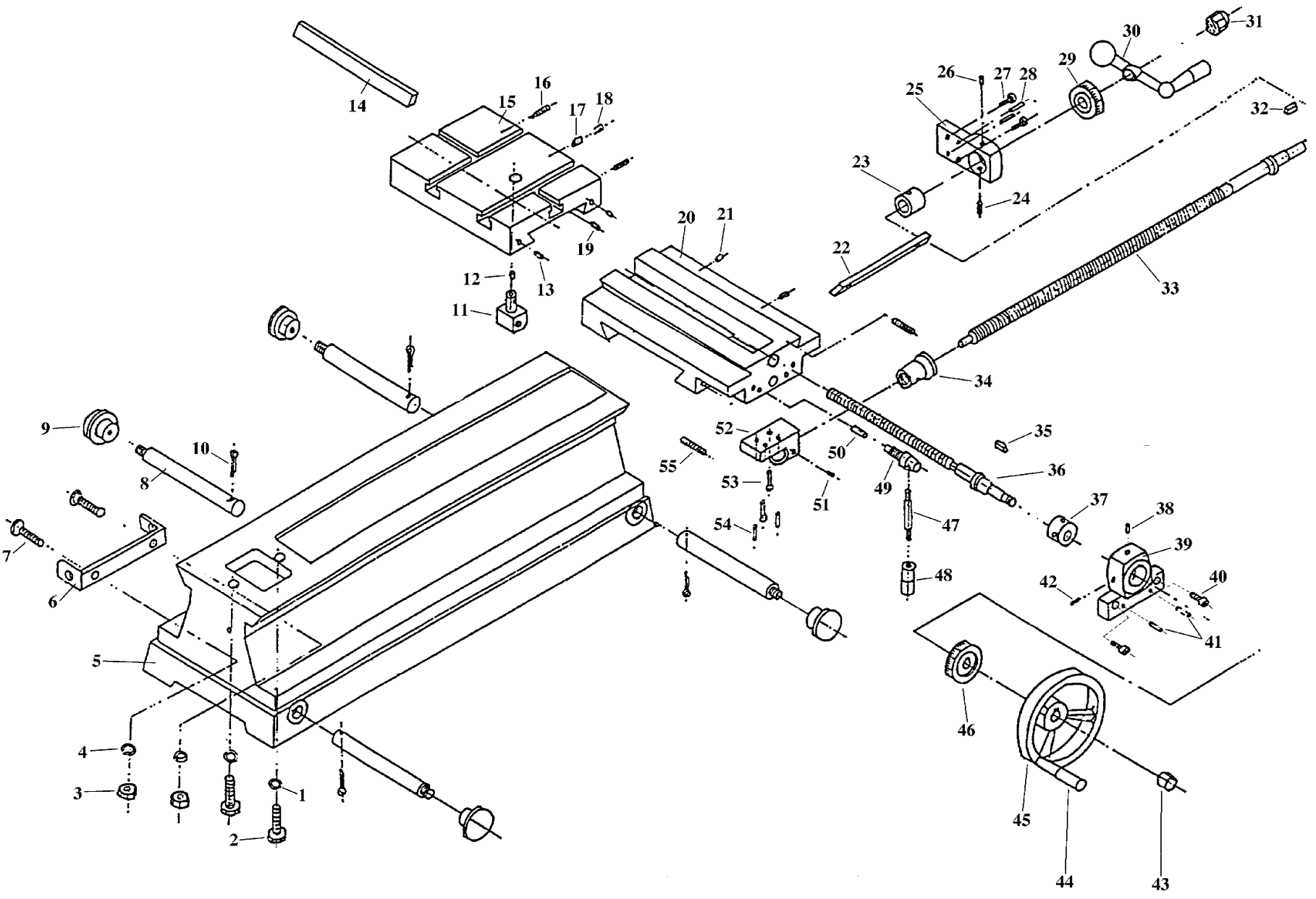
|    |        |              |                                   |    |        |              |                         |
|----|--------|--------------|-----------------------------------|----|--------|--------------|-------------------------|
| 1  | C30493 |              | Lathe Spindle                     | 28 | C30506 | 27 GB858     | Circular Nut Lockwasher |
| 2  | C30014 |              | Felt Collar                       | 29 | C30507 | 27x1.5 GB812 | Round Nut               |
| 3  | S21768 | 8x10 GB1096  | Plain Parallel Key                | 30 | C30111 |              | Clutch Sleeve           |
| 4  | S11343 | M4x10 GB69   | Raised Countersunk-Head Screw     | 31 | C30199 | 5 GB308      | Steel Ball              |
| 5  | C30494 |              | Mainshaft-Bearing Oil Seal        | 32 | C30107 |              | Spring                  |
| 6  | S20620 | D2007107     | Single-Row Tapered Roller Bearing | 33 | S23410 | 65 GB894     | External Snap Ring      |
| 7  | C30495 |              | Lathe Head                        | 34 | S11994 | M6x20 GB65   | Cheese-Head Screw       |
| 8  | C30496 |              | Packing Paper                     | 35 | C30508 |              | Pulley Seat             |
| 9  | C30497 |              | Cup                               | 36 | C30509 |              | Bearing Seat            |
| 10 | S11315 | M4x6 GB67    | Round-Head Screw                  | 37 | C30510 |              | Packing Paper           |
| 11 | C30498 | 2007106      | Single-Row Tapered Roller Bearing | 38 | C30511 |              | Input Pulley            |
| 12 | S11642 | M5x10 GB71   | Cone-Point Setscrew               | 39 | S20680 | 113          | Single-Row Ball Bearing |
| 13 | C30115 |              | Bevel Gear                        | 40 | C30512 |              | Bearing Retaining Cap   |
| 14 | C30499 | 110          | Single-Row Ball Bearing           | 41 | S11315 | M4x6 GB67    | Round-Head Screw        |
| 15 | C30500 |              | Right Jaw Clutch                  |    |        |              |                         |
| 16 | C30501 |              | Shaft Sleeve                      |    |        |              |                         |
| 17 | S11345 | M4x10 GB67   | Round-Head Screw                  |    |        |              |                         |
| 18 | S11345 | M4x10 GB67   | Round-Head Screw                  |    |        |              |                         |
| 19 | C30502 |              | Switch Label                      |    |        |              |                         |
| 20 | C30503 | HZ10-10p/4th | Combined Switch                   |    |        |              |                         |
| 21 | S12568 | M10x14 GB79  | Hexagon-Socket Setscrew           |    |        |              |                         |
| 22 | S22420 |              | Locking Pin                       |    |        |              |                         |
| 23 | C30504 |              | Jaw Clutch                        |    |        |              |                         |
| 24 | S11343 | M4x10 GB69   | Raised Countersunk-Head Screw     |    |        |              |                         |
| 25 | S21950 |              | Key                               |    |        |              |                         |
| 26 | S11654 | M5x12 GB65   | Fillister-Head Screw              |    |        |              |                         |
| 27 | C30505 |              | Left Jaw Clutch                   |    |        |              |                         |





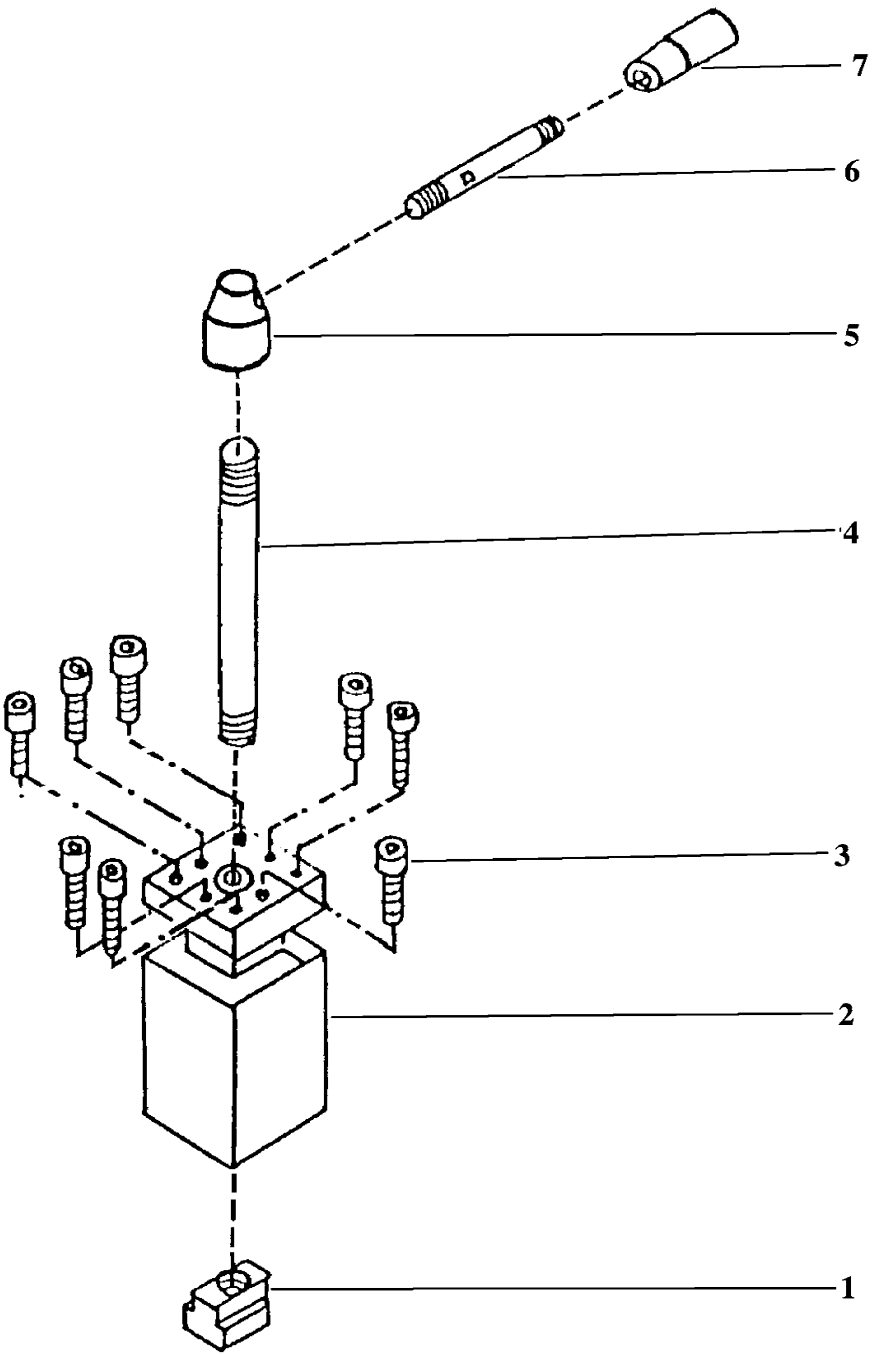
### 25.17 Lathe Pulley Shell (CM-1114)

|   |        |            |                     |
|---|--------|------------|---------------------|
| 1 | 81-102 | 900        | V-Belt              |
| 2 | C30515 |            | Lathe Spindle Cup   |
| 3 | S11785 | M5x60 GB67 | Round-Head Screw    |
| 4 | C30513 |            | Pulley Shell        |
| 5 | S11965 | M6x14 GB67 | Round-Head Screw    |
| 6 | C30514 |            | Pulley Shell Bottom |



### 25.18 Bed and Carriage (CM-1114)

|    |        |             |                           |    |        |                  |                           |
|----|--------|-------------|---------------------------|----|--------|------------------|---------------------------|
| 1  | S18165 | 10 GB93     | Spring Washer             | 30 | C30070 | 12x50 GB4141.9   | Ball-Crank Handle         |
| 2  | S12620 | M10x35 GB30 | Hexagon-Head Bolt         | 31 | S18190 | M10 GB923        | Domed Cap Nut             |
| 3  | S18155 | BM10 GB52   | Hexagon Nut               | 32 | S21140 | 4x18 GB1096      | Plain Parallel Key        |
| 4  | S18165 | 10 GB93     | Spring Washer             | 33 | C30487 |                  | Longitudinal-Feed Screw   |
| 5  | C30486 |             | Bed                       | 34 | C30488 |                  | Longitudinal-Feed Nut     |
| 6  | C30062 |             | Pedestal                  | 35 | S21140 | 4x18 GB1090      | Plain Parallel Key        |
| 7  | S12623 | M10x30 GB68 | Countersunk-Head Screw    | 36 | C30489 |                  | Cross-Feed Screw          |
| 8  | C30063 |             | Dead-Load Lever           | 37 | C30073 |                  | Bush Bearing              |
| 9  | C30030 |             | Cone Knob                 | 38 | C30035 | 8 GB1155         | Oilcup                    |
| 10 | S22540 | 3x25 GB91   | Split Pin                 | 39 | C30076 |                  | Cross-Feed Screw Seat     |
| 11 | C30213 |             | Nut                       | 40 | S12271 | M8x16 GB70       | Hexagon Socket-Head Screw |
| 12 | C30050 | 6 GB1155    | Oilcup                    |    |        |                  |                           |
| 13 | C30035 | 8 GB1155    | Oilcup                    | 41 | S12270 | 5x20 GB117       | Taper Pin                 |
| 14 | C30473 |             | Chock                     | 42 | S11952 | M6x12 GB71       | Cone-Point Setscrew       |
| 15 | C30064 |             | Workbench                 | 43 | S18160 | M10 GB923        | Domed-Cap Nut             |
| 16 | S12328 | M8x30 GB79  | Hexagon Socket Setscrew   | 44 | C30060 | M8x63 GB4141.5   | Handle with Sleeve        |
| 17 | S22420 |             | Locking Pin               | 45 | C30059 | 12x125 GB4141.22 | Handwheel                 |
| 18 | S12568 | M10x14 GB79 | Hexagon Socket Setscrew   | 46 | C30214 |                  | Dial                      |
| 19 | S11952 | M6x12 GB71  | Cone-Point Setscrew       | 47 | C30032 | M6x40 GB4141.15  | Handle Lever              |
| 20 | C30065 |             | Carriage                  | 48 | C30033 | M6x36 GB4141.14  | Long-Sleeve Knob          |
| 21 | C30035 | 8 GB1155    | Oilcup                    | 49 | C30077 |                  | Locking Handle Seat       |
| 22 | C30066 |             | Chock                     | 50 | S22420 |                  | Locking Pin               |
| 23 | C33066 |             | Longitudinal Screw Stem   | 51 | S11948 | M6x10 GB71       | Cone-Point Setscrew       |
|    |        |             | Bush Bearing              | 52 | C30490 |                  | Longitudinal Nut Seat     |
| 24 | S11948 | M6x10 GB71  | Cone-Point Setscrew       | 53 | S11971 | M6x16 GB70       | Hexagon Socket-Head Screw |
| 25 | C30068 |             | Trestle                   |    |        |                  |                           |
| 26 | C30050 | 6 GB1155    | Oilcup                    | 54 | S22170 | 5x20 GB117       | Taper Pin                 |
| 27 | S11971 | M6x16 GB70  | Hexagon Socket-Head Screw | 55 | S12338 | M8x35 GB79       | Hexagon Socket Setscrew   |
| 28 | S22170 | 5x20 GB117  | Taper Pin                 |    |        |                  |                           |
| 29 | C30069 |             | Dial                      |    |        |                  |                           |



### 25.19 Straight-Up Toolpost (CM-1114)

|       |        |                 |                              |
|-------|--------|-----------------|------------------------------|
| 1     | C30516 |                 | T-Slide                      |
| 2     | C30517 |                 | Toolpost                     |
| 3     | S12311 | M8x25 GB70      | Hexagon Socket-Head<br>Screw |
| 4     | C30518 |                 | Stud                         |
| 5     | C30185 |                 | Handle Seat                  |
| 6     | C30053 | M8x50 GB4141.15 | Handle Lever                 |
| 7     | C30054 | M8x40 GB4141.14 | Long Sleeve Knob             |
| (1-7) | 45-000 |                 | Toolpost                     |

