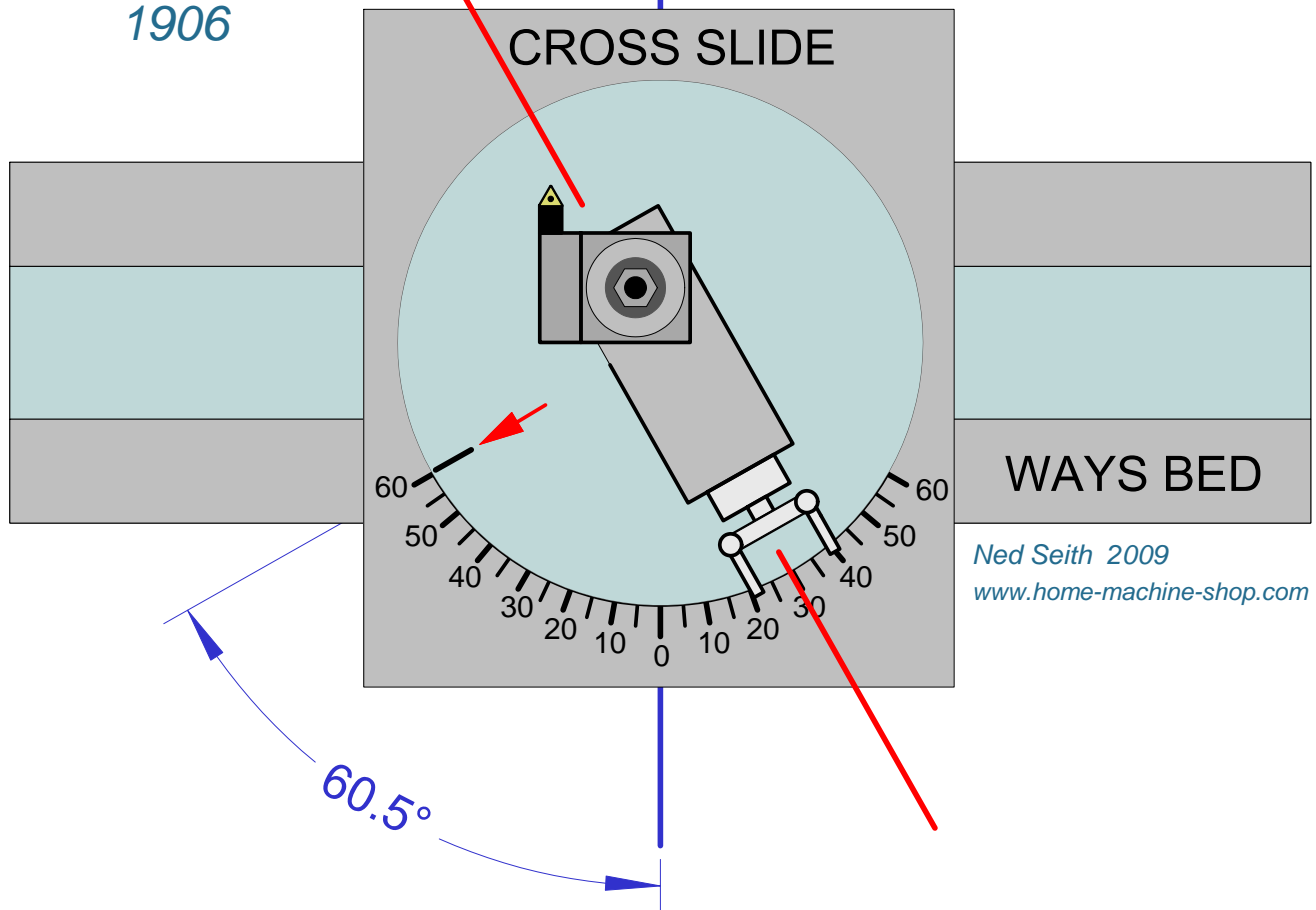


29.5 ° CCW
TO CROSS SLIDE
South Bend Lathe Co.
1906

SMITHY GRANITE
COMPOUND
THREAD CUTTING
POSITION



SMITHY COMPOUND ZERO POSITION

